



Application Note

AN_365

FT900 API Programmers Manual

Version 1.3

Issue Date: 2016-09-20

This document describes the API for the FT900 Peripheral Driver Library.

Use of FTDI devices in life support and/or safety applications is entirely at the user's risk, and the user agrees to defend, indemnify and hold FTDI harmless from any and all damages, claims, suits or expense resulting from such use.

Future Technology Devices International Limited (FTDI)

Unit 1, 2 Seaward Place, Glasgow G41 1HH, United Kingdom

Tel.: +44 (0) 141 429 2777 Fax: + 44 (0) 141 429 2758

Web Site: <http://ftdichip.com>

Copyright © Future Technology Devices International Limited

Table of Contents

1 Introduction	6
1.1 Overview	6
2 libft900.a Library	7
2.1 Chip management	7
2.1.1 API Cross Reference.....	7
2.1.2 Enumeration Type Documentation	7
2.1.3 Function Documentation	9
2.2 Delay functions	11
2.2.1 API Cross Reference.....	11
2.2.2 Macro Definition Documentation	11
2.3 Interrupt Management	12
2.3.1 API Cross Reference.....	12
2.3.2 Macro Definition Documentation	12
2.3.3 Typedef Documentation.....	12
2.3.4 Enumeration Type Documentation	12
2.3.5 Function Documentation	13
2.4 General Purpose I/O and Pad Control	15
2.4.1 API Cross Reference.....	15
2.4.2 Function to Pad Mappings	15
2.4.3 Enumeration Type Documentation	17
2.4.4 Function Documentation	24
2.5 Assembler Definitions	29
2.5.1 API Cross Reference.....	29
2.5.2 Macro Documentation	29
2.5.3 Function Documentation	33
2.6 Watchdog Timer	34
2.6.1 API Cross Reference.....	34
2.6.2 Enumeration Type Documentation	34
2.6.3 Function Documentation	35
2.7 Timers	36
2.7.1 API Cross Reference.....	36

2.7.2	Enumeration Type Documentation	36
2.7.3	Function Documentation	37
2.8	Analogue to Digital Converter	40
2.8.1	API Cross Reference.....	40
2.8.2	Enumeration Type Documentation	40
2.8.3	Function Documentation	40
2.9	Digital to Analogue Converter	43
2.9.1	API Cross Reference.....	43
2.9.2	Enumeration Type Documentation	43
2.9.3	Function Documentation	43
2.10	Ethernet driver	47
2.10.1	API Cross Reference.....	47
2.10.2	Enumeration Type Documentation	47
2.10.3	Function Documentation	47
2.11	UART.....	51
2.11.1	API Cross Reference.....	51
2.11.2	Macro Definition Documentation	51
2.11.3	Enumeration Type Documentation	52
2.11.4	Function Documentation	53
2.12	I²C Master.....	59
2.12.1	API Cross Reference.....	59
2.12.2	Enumeration Type Documentation	59
2.12.3	Function Documentation	59
2.13	I²C Slave.....	62
2.13.1	API Cross Reference.....	62
2.13.2	Function Documentation	62
2.14	I²S Audio	65
2.14.1	API Cross Reference.....	65
2.14.2	Enumeration Type Documentation	65
2.14.3	Function Documentation	68
2.15	SPI Bus	72
2.15.1	API Cross Reference.....	72
2.15.2	Enumeration Type Documentation	72
2.15.3	Function Documentation	74

2.16	CANBus	80
2.16.1	API Cross Reference.....	80
2.16.2	Enumeration Type Documentation	80
2.16.3	Function Documentation	83
2.16.4	Variable Documentation	89
2.17	Camera interface	90
2.17.1	API Cross Reference.....	90
2.17.2	Enumeration Type Documentation	90
2.17.3	Function Documentation	90
2.18	Pulse Width Modulation	93
2.18.1	API Cross Reference.....	93
2.18.2	Enumeration Type Documentation	93
2.18.3	Function Documentation	93
2.19	PWM Audio	97
2.19.1	API Cross Reference.....	97
2.19.2	Enumeration Type Documentation	97
2.19.3	Function Documentation	99
2.20	Real Time Clock	102
2.20.1	API Cross Reference.....	102
2.20.2	Enumeration Type Documentation	102
2.20.3	Function Documentation	102
2.21	USB Device Stack API	105
2.21.1	API Cross Reference.....	105
2.21.2	Macro Definition Documentation	105
2.21.3	Typedef Documentation.....	106
2.21.4	Enumeration Type Documentation	107
2.21.5	Structure Documentation.....	109
2.21.6	Function Documentation	110
2.22	DFU Device for USB Device Stack API	119
2.22.1	API Cross Reference.....	119
2.22.2	Macro Definition Documentation	119
2.22.3	Function Documentation	120
2.23	USB Host Stack API	123
2.23.1	API Cross Reference.....	123

2.23.2	Macro Definition Documentation	123
2.23.3	Typedef Documentation.....	124
2.23.4	Structure Documentation.....	125
2.23.5	Enumeration Type Documentation	127
2.23.6	Function Documentation.....	129
2.24	USB Host Stack Extensions API.....	144
2.24.1	API Cross Reference.....	144
2.24.2	Function Documentation.....	144
2.25	HID Devices on USB Host Stack API.....	147
2.25.1	API Cross Reference.....	147
2.25.2	Structure Documentation.....	147
2.25.3	Function Documentation.....	148
2.26	BOMS Devices on USB Host Stack API.....	151
2.26.1	API Cross Reference.....	151
2.26.2	Macro Definition Documentation	151
2.26.3	Structure Documentation.....	152
2.26.4	Function Documentation.....	153
2.27	CDC ACM Devices on USB Host Stack API.....	159
2.27.1	Macro Definition Documentation	159
2.27.2	Structure Documentation.....	161
2.27.3	Function Documentation.....	163
2.28	Android Open Accessory (AOA) Devices on USB Host Stack API	171
2.28.1	API Cross Reference.....	171
2.28.2	Macro Definition Documentation	171
2.28.3	Structure Documentation.....	172
2.28.4	Function Documentation.....	173
2.29	FT devices on USB host stack API (ft900_usbh_ft.h)	177
2.29.1	API Cross Reference.....	177
2.29.2	Structure Documentation.....	177
2.29.3	Functions.....	178
2.30	Startup DFU Feature	182
2.30.1	API Cross Reference.....	182
2.30.2	Macro Definition Documentation	183

2.30.3	Function Documentation	183
2.31	SD Host.....	184
2.31.1	Enumeration Type Documentation	184
2.31.2	Function Documentation	185
2.32	Datalogger Feature	186
2.32.1	Datalogger Partition	187
2.32.2	API Cross Reference.....	187
2.32.3	Variable Documentation	187
2.32.4	Function Documentation	188
2.33	D2XX Feature.....	189
2.33.1	API Cross Reference.....	190
2.33.2	Variable Documentation	190
2.33.3	Macro Definition Documentation	190
2.33.4	Structure Documentation.....	190
2.33.5	Enumeration Type Documentation	191
2.33.6	Typedef Documentation.....	192
2.33.7	Function Documentation	193
3	Header Files.....	196
3.1	Hardware Register Definition Files	196
3.1.1	Using Register Header Files.....	196
3.2	API Header Files.....	198
3.3	Additional Header Files	199
4	Contact Information	200
Appendix A – References		201
Document References		201
Acronyms and Abbreviations.....		201
Appendix B – List of Tables & Figures		203
List of Tables.....		203
List of Figures		203
Appendix C – Revision History		204

1 Introduction

The FT900 Peripheral Driver Library is a collection of 'C' language based functions that are intended to ease the development of applications running on the FT900 Microcontroller.

Figure 1-1 shows the overall FT90X Interface driver support. This document focuses on the Hardware Interface Driver layer. All drivers will be provided as source code for easy adaptation and modification.

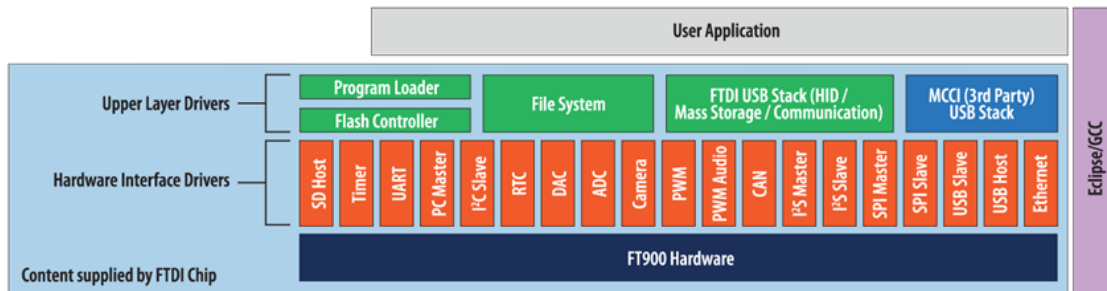


Figure 1-1 FT90x Interface Driver Support

1.1 Overview

This document will describe API for the FT900 Peripheral Driver Library.

2 libft900.a Library

The precompiled driver library can be used as is. However, if you want to change the way any of the source code in the libFT900 library works then copying the source code of a module to the Eclipse project you are working on allows you to ignore the version in the library and try out local changes.

For example, if you want to change the timeout on the `STARTUP_DFU()` code from 500ms to 10 seconds then copy the source code `usb_startup_dfu.c` to the project and make the changes required in the project's workspace.

Compiling against the library will take the local version in preference to the library's version.

Source code can be found here (once IDE has been installed):

`C:\Program Files (x86)\FTDI\FT90x Toolchain\Toolchain\hardware\src`

2.1 Chip management

The file **ft900_sys.h** contains the definitions for the chip management functions in the libft900.a library.

2.1.1 API Cross Reference

It utilises the following library APIs:

ft900_delay.h – Delay

Additional definitions are taken from:

ft900_registers.h – FT900 register definitions

2.1.2 Enumeration Type Documentation

2.1.2.1 `sys_device_t`

`enum sys_device_t`

FT900 Device.

Enumerator	
<code>sys_device_usb_host</code>	USB Host
<code>sys_device_usb_device</code>	USB Device
<code>sys_device_ethernet</code>	Ethernet
<code>sys_device_sd_card</code>	SD Card
<code>sys_device_can0</code>	CAN0
<code>sys_device_can1</code>	CAN1
<code>sys_device_i2c_master</code>	I2C Master
<code>sys_device_i2c_slave</code>	I2C Slave

sys_device_spi_master	SPI Master
sys_device_spi_slave0	SPI Slave 0
sys_device_spi_slave1	SPI Slave 1
sys_device_uart0	UART0
sys_device_uart1	UART1
sys_device_pwm	PWM
sys_device_i2s	I2S
sys_device_camera	Camera
sys_device_timer_wdt	Timer and Watchdog Timer
sys_device_adc	Analogue to Digital Converter
sys_device_dac0	Digital to Analogue Converter 0
sys_device_dac1	Digital to Analogue Converter 1

2.1.2.2 *sys_cpu_divider_t*

enum sys_cpu_divider_t

CPU Clock divider.

Enumerator	
sys_cpu_divider_1	No clock divider (Default)
sys_cpu_divider_2	Divide Input Clock by 2
sys_cpu_divider_4	Divide Input Clock by 4
sys_cpu_divider_8	Divide Input Clock by 8
sys_cpu_divider_64	Divide Input Clock by 64
sys_cpu_divider_128	Divide Input Clock by 128
sys_cpu_divider_512	Divide Input Clock by 512

2.1.2.3 *sys_pwm_trigger_t*

enum sys_pwm_trigger_t

PWM External Trigger pin.

Enumerator	
sys_pwm_trigger_none	None

sys_pwm_trigger_gpio18	GPIO18
sys_pwm_trigger_gpio26	GPIO26
sys_pwm_trigger_gpio35	GPIO35
sys_pwm_trigger_gpio40	GPIO40
sys_pwm_trigger_gpio46	GPIO46
sys_pwm_trigger_gpio52	GPIO52
sys_pwm_trigger_gpio58	GPIO58

2.1.3 Function Documentation

2.1.3.1 *sys_enable*

```
int sys_enable ( sys_device_t dev )
```

Enable a device on the FT900.

Parameters

dev The device to enable

Returns

On success a 0, otherwise -1

2.1.3.2 *sys_disable*

```
int sys_disable ( sys_device_t dev )
```

Disable a device on the FT900.

Parameters

dev The device to Disable

Returns

On success a 0, otherwise -1

2.1.3.3 *sys_reset_all*

```
void sys_reset_all ( void )
```

Reset all peripherals. sys_cpu_clock_div

```
int sys_cpu_clock_div ( sys_cpu_divider_t div )
```

Enable a divider on the CPU.

Parameters

div The divider to use

Returns

On success a 0, otherwise -1

2.1.3.4 *sys_get_cpu_clock*

```
uint32_t sys_get_cpu_clock ( void )
```

Get the current clock of the CPU.

Returns

The clock rate of the CPU in Hertz

2.1.3.5 *sys_i2c_swop*

```
int sys_i2c_swop ( uint8_t swop )
```

Swap the I2C Master and slave pins. The user must first configure the default master pins and assign the swapped I2C master to those pins. For example:

```
gpio_function(44, pad_i2c1_scl);  
gpio_pull(44, pad_pull_none);  
gpio_function(45, pad_i2c1_sda);  
gpio_pull(45, pad_pull_none);
```

Parameters

swop Enable or disable the swop feature

Returns

On success a 0, otherwise -1

2.1.3.6 *sys_pwm_ext_trigger*

```
int sys_pwm_ext_trigger ( sys_pwm_trigger_t exttrigger )
```

Configure the External PWM trigger.

Parameters

exttrigger The selection of external trigger

Returns

On success a 0, otherwise -1

2.2 Delay functions

The file **ft900_delay.h** contains the definitions for the delay functions in the libft900.a library.

2.2.1 API Cross Reference

Additional definitions are taken from:

ft900_registers.h – FT900 register definitions

2.2.2 Macro Definition Documentation

2.2.2.1 *sleep*

```
#define sleep ( x ) delayms(x*1000)
```

POSIX standard second sleep call.

Parameters

x The number of milliseconds to sleep

2.2.2.2 *usleep*

```
#define usleep ( x ) delayus(x)
```

POSIX standard microsecond sleep call.

Parameters

x The number of microseconds to sleep

2.3 Interrupt Management

The file **ft900_interrupt.h** contains the definitions for the interrupt management functions in the libft900.a library.

2.3.1 API Cross Reference

Additional definitions are taken from:

ft900_registers.h – FT900 register definitions

2.3.2 Macro Definition Documentation

2.3.2.1 N_INTERRUPTS

```
#define N_INTERRUPTS (33)
```

The number of interrupts supported by the CPU.

2.3.3 Typedef Documentation

2.3.3.1 isrptr_t

```
typedef void(* isrptr_t) (void)
```

Interrupt handler function prototype.

2.3.4 Enumeration Type Documentation

2.3.4.1 interrupt_t

```
enum interrupt_t
```

Interrupt vector.

Enumerator	
interrupt_0	Reserved
interrupt_usb_host	USB Host Interrupt
interrupt_usb_device	USB Device Interrupt
interrupt_ethernet	Ethernet Interrupt
interrupt_sd_card	SD Card Interrupt
interrupt_can0	CAN0 Interrupt
interrupt_can1	CAN1 Interrupt
interrupt_camera	Camera Interrupt
interrupt_spim	SPI Master Interrupt
interrupt_spis0	SPI Slave 0 Interrupt
interrupt_spis1	SPI Slave 1 Interrupt

interrupt_i2cm	I2C Master Interrupt
interrupt_i2cs	I2C Slave Interrupt
interrupt_uart0	UART0 Interrupt
interrupt_uart1	UART1 Interrupt
interrupt_i2s	I2S Interrupt
interrupt_pwm	PWM Interrupt
interrupt_timers	Timers Interrupt
interrupt_gpio	GPIO Interrupt
interrupt_rtc	RTC Interrupt
interrupt_adc	ADC Interrupt
interrupt_dac	DAC Interrupt
interrupt_slowclock	

2.3.5 Function Documentation

2.3.5.1 *interrupt_attach*

```
int8_t interrupt_attach ( interrupt_t interrupt,
                        uint8_t priority,
                        isrptr_t func
                        )
```

Attach an interrupt.

Parameters

- interrupt** The interrupt vector to attach to
- priority** The priority to give the interrupt
- func** The function to call when interrupted

Returns

0 on a success or -1 for a failure

2.3.5.2 *interrupt_detach*

```
int8_t interrupt_detach ( interrupt_t interrupt )
```

Detach an interrupt.

Parameters

- interrupt** The interrupt vector to detach

Returns

0 on a success or -1 for a failure

2.3.5.3 interrupt_disable_globally

int8_t interrupt_disable_globally (void)

Disable all interrupts.

Returns

0 on a success or -1 for a failure

2.3.5.4 interrupt_disable_nesting

int8_t interrupt_disable_nesting (void)

Disable nesting interrupts.

Returns

0 on a success or -1 for a failure

2.3.5.5 interrupt_enable_globally

int8_t interrupt_enable_globally (void)

Enable interrupts to fire.

Returns

0 on a success or -1 for a failure

2.3.5.6 interrupt_enable_nesting

int8_t interrupt_enable_nesting (uint8_t max)

Enable nesting interrupts.

Parameters

max The maximum number of levels to nest (max 16)

Returns

0 on a success or -1 for a failure

2.4 General Purpose I/O and Pad Control

The file **ft900_gpio.h** contains the definitions for the GPIO and Pad Control functions in the libft900.a library.

2.4.1 API Cross Reference

Additional definitions are taken from:

ft900_registers.h – FT900 register definitions

2.4.2 Function to Pad Mappings

Pin mappings are made from a function to one of four groups. The groups and hence the available functions on a pin are shown in the following table.

Pin	pad_func_0	pad_func_1	pad_func_2	pad_func_3
VBUS_DISCH/GPIO0	GPIO0			
OC_N/GPIO1	GPIO1	OC_N		
PSW_N/GPIO2	GPIO2			
VBUS_DTC/GPIO3	GPIO3	VBUS_DTC		
ENET_LED0/GPIO4	GPIO4	ENET_LED0		
ENET_LED1/GPIO5	GPIO5	ENET_LED1		
ADC1/CAM_XCLK/GPIO6	GPIO6	CAM_XCLK		ADC1
ADC2/CAM_PCLK/GPIO7	GPIO7	CAM_PCLK		ADC2
ADC3/CAM_VD/GPIO8	GPIO8	CAM_VD		ADC3
ADC4/CAM_HD/GPIO9	GPIO9	CAM_HD		ADC4
ADC5/CAM_D7/GPIO10	GPIO10	CAM_D7		ADC5
ADC6/CAM_D6/GPIO11	GPIO11	CAM_D6		ADC6
ADC7/CAM_D5/GPIO12	GPIO12	CAM_D5		ADC7
DAC1/CAM_D4/GPIO13	GPIO13	CAM_D4		DAC1
DAC0/CAM_D3/GPIO14	GPIO14	CAM_D3		DAC0
CAN0_TXD/CAM_D2/GPIO15	GPIO15	CAM_D2	CAN0_TXD	
CAN0_RXD/CAM_D1/GPIO16	GPIO16	CAM_D1	CAN0_RXD	
CAN1_TXD/CAM_D0/GPIO17	GPIO17	CAM_D0	CAN1_TXD	
CAN1_RXD/GPIO18	GPIO18		CAN1_RXD	
SD_CLK/GPIO19	GPIO19	SD_CLK		
SD_CMD/GPIO20	GPIO20	SD_CMD		

SD_DATA3/GPIO21	GPIO21	SD_DATA3		
SD_DATA2/GPIO22	GPIO22	SD_DATA2		
SD_DATA1/GPIO23	GPIO23	SD_DATA1		
SD_DATA0/GPIO24	GPIO24	SD_DATA0		
SD_CD/GPIO25	GPIO25	SD_CD		
SD_WP/GPIO26	GPIO26	SD_WP		
SPIM_CLK/GPIO27	GPIO27	SPIM_CLK		
SPIM_SS0/GPIO28	GPIO28	SPIM_SS0		
SPIM_MOSI/GPIO29	GPIO29	SPIM_MOSI		
SPIM_MISO/GPIO30	GPIO30	SPIM_MISO		
SPIM_IO2/GPIO31	GPIO31	SPIM_IO2		
SPIM_IO3/GPIO32	GPIO32	SPIM_IO3		
SPIM_SS1/GPIO33	GPIO33	SPIM_SS1		
SPIM_SS2/GPIO34	GPIO34	SPIM_SS2		
SPIM_SS3/GPIO35	GPIO35	SPIM_SS3		
SPIS0_CLK/GPIO36	GPIO36	SPIS0_CLK		
SPIS0_SS/GPIO37	GPIO37	SPIS0_SS		
SPIS0_MOSI/GPIO38	GPIO38	SPIS0_MOSI		
SPIS0_MISO/GPIO39	GPIO39	SPIS0_MISO		
SPIS1_CLK/GPIO40	GPIO40	SPIS1_CLK		
SPIS1_SS/GPIO41	GPIO41	SPIS1_SS		
SPIS1_MOSI/GPIO42	GPIO42	SPIS1_MOSI		
SPIS1_MISO/GPIO43	GPIO43	SPIS1_MISO		
I2C0_SCL/GPIO44	GPIO44	I2C0_SCL		
I2C0_SDA/GPIO45	GPIO45	I2C0_SDA		
I2C1_SCL/GPIO46	GPIO46	I2C1_SCL		
I2C1_SDA/GPIO47	GPIO47	I2C1_SDA		
UART0_TXD/GPIO48	GPIO48			UART0_TXD
UART0_RXD/GPIO49	GPIO49			UART0_RXD
UART0_RTS/GPIO50	GPIO50			UART0_RTS
UART0_CTS/GPIO51	GPIO51			UART0_CTS

UART0_DTR/UART1_TXD/PWM4/GPIO52	GPIO52	PWM4	UART1_TXD	UART0_DTR
UART0_DSR/UART1_RXD/PWM5/GPIO53	GPIO53	PWM5	UART1_RXD	UART0_DSR
UART0_DCD/UART1_RTS/PWM6/GPIO54	GPIO54	PWM6	UART1_RTS	UART0_DCD
UART0_RI/UART1_CTS/PWM7/GPIO55	GPIO55	PWM7	UART1_CTS	UART0_RI
PWM0/GPIO56	GPIO56	PWM0		
PWM1/GPIO57	GPIO57	PWM1		
PWM2/GPIO58	GPIO58	PWM2		
PWM3/GPIO59	GPIO59	PWM3		
I2S_SDAO/GPIO60	GPIO60	I2S_SDAO		
I2S_SDAI/GPIO61	GPIO61	I2S_SDAI		
I2S_BCLK/GPIO62	GPIO62	I2S_BCLK	I2SS_BCLK	
I2S_LRCLK/GPIO63	GPIO63	I2S_LRCLK	I2SS_LRCLK	
I2S_MCLK/GPIO64	GPIO64	I2S_MCLK		
I2S_CLK22/GPIO65	GPIO65	I2S_CLK22		
I2S_CLK24/GPIO66	GPIO66	I2S_CLK24		

2.4.3 Enumeration Type Documentation

2.4.3.1 *gpio_int_edge_t*

enum gpio_int_edge_t

GPIO Interrupt control.

Enumerator	
gpio_int_edge_falling	Interrupt on a falling edge
gpio_int_edge_raising	Interrupt on a raising edge

2.4.3.2 *pad_dir_t*

enum pad_dir_t

Pad direction control.

Enumerator	
pad_dir_input	Input
pad_dir_output	Output
pad_dir_open_drain	Open Drain

2.4.3.3 *pad_drive_t*

enum *pad_drive_t*

Pad current drive control.

Enumerator	
<i>pad_drive_4mA</i>	4mA maximum current
<i>pad_drive_8mA</i>	8mA maximum current
<i>pad_drive_12mA</i>	12mA maximum current
<i>pad_drive_16mA</i>	16mA maximum current

2.4.3.4 *pad_func_t*

enum *pad_func_t*

Pad function control.

Enumerator	
<i>pad_func_0</i>	Pad function 0
<i>pad_func_1</i>	Pad function 1
<i>pad_func_2</i>	Pad function 2
<i>pad_func_3</i>	Pad function 3
<i>pad_gpio0</i>	VBUS_DISCH/GPIO0 Pad function 0
<i>pad_gpio1</i>	OC_N/GPIO1 Pad function 0
<i>pad_gpio2</i>	PSW_N/GPIO2 Pad function 0
<i>pad_gpio3</i>	VBUS_DTC/GPIO3 Pad function 0
<i>pad_gpio4</i>	ENET_LED0/GPIO4 Pad function 0
<i>pad_gpio5</i>	ENET_LED1/GPIO5 Pad function 0
<i>pad_gpio6</i>	ADC1/CAM_XCLK/GPIO6 Pad function 0
<i>pad_gpio7</i>	ADC2/CAM_PCLK/GPIO7 Pad function 0
<i>pad_gpio8</i>	ADC3/CAM_VD/GPIO8 Pad function 0
<i>pad_gpio9</i>	ADC4/CAM_HD/GPIO9 Pad function 0
<i>pad_gpio10</i>	ADC5/CAM_D7/GPIO10 Pad function 0
<i>pad_gpio11</i>	ADC6/CAM_D6/GPIO11 Pad function 0
<i>pad_gpio12</i>	ADC7/CAM_D5/GPIO12 Pad function 0

pad_gpio13	DAC1/CAM_D4/GPIO13 Pad function 0
pad_gpio14	DAC0/CAM_D3/GPIO14 Pad function 0
pad_gpio15	CAN0_TXD/CAM_D2/GPIO15 Pad function 0
pad_gpio16	CAN0_RXD/CAM_D1/GPIO16 Pad function 0
pad_gpio17	CAN1_TXD/CAM_D0/GPIO17 Pad function 0
pad_gpio18	CAN1_RXD/GPIO18 Pad function 0
pad_gpio19	SD_CLK/GPIO19 Pad function 0
pad_gpio20	SD_CMD/GPIO20 Pad function 0
pad_gpio21	SD_DATA3/GPIO21 Pad function 0
pad_gpio22	SD_DATA2/GPIO22 Pad function 0
pad_gpio23	SD_DATA1/GPIO23 Pad function 0
pad_gpio24	SD_DATA0/GPIO24 Pad function 0
pad_gpio25	SD_CD/GPIO25 Pad function 0
pad_gpio26	SD_WP/GPIO26 Pad function 0
pad_gpio27	SPIM_CLK/GPIO27 Pad function 0
pad_gpio28	SPIM_SS0/GPIO28 Pad function 0
pad_gpio29	SPIM_MOSI/GPIO29 Pad function 0
pad_gpio30	SPIM_MISO/GPIO30 Pad function 0
pad_gpio31	SPIM_IO2/GPIO31 Pad function 0
pad_gpio32	SPIM_IO3/GPIO32 Pad function 0
pad_gpio33	SPIM_SS1/GPIO33 Pad function 0
pad_gpio34	SPIM_SS2/GPIO34 Pad function 0
pad_gpio35	SPIM_SS3/GPIO35 Pad function 0
pad_gpio36	SPIS0_CLK/GPIO36 Pad function 0
pad_gpio37	SPIS0_SS/GPIO37 Pad function 0
pad_gpio38	SPIS0_MOSI/GPIO38 Pad function 0
pad_gpio39	SPIS0_MISO/GPIO39 Pad function 0
pad_gpio40	SPIS1_CLK/GPIO40 Pad function 0
pad_gpio41	SPIS1_SS/GPIO41 Pad function 0

pad_gpio42	SPIS1_MOSI/GPIO42 Pad function 0
pad_gpio43	SPIS1_MISO/GPIO43 Pad function 0
pad_gpio44	I2C0_SCL/GPIO44 Pad function 0
pad_gpio45	I2C0_SDA/GPIO45 Pad function 0
pad_gpio46	I2C1_SCL/GPIO46 Pad function 0
pad_gpio47	I2C1_SDA/GPIO47 Pad function 0
pad_gpio48	UART0_TXD/GPIO48 Pad function 0
pad_gpio49	UART0_RXD/GPIO49 Pad function 0
pad_gpio50	UART0_RTS/GPIO50 Pad function 0
pad_gpio51	UART0_CTS/GPIO51 Pad function 0
pad_gpio52	UART0_DTR/UART1_TXD/PWM4/GPIO52 Pad function 0
pad_gpio53	UART0_DSR/UART1_RXD/PWM5/GPIO53 Pad function 0
pad_gpio54	UART0_DCD/UART1_RTS/PWM6/GPIO54 Pad function 0
pad_gpio55	UART0_RI/UART1_CTS/PWM7/GPIO55 Pad function 0
pad_gpio56	PWM0/GPIO56 Pad function 0
pad_gpio57	PWM1/GPIO57 Pad function 0
pad_gpio58	PWM2/GPIO58 Pad function 0
pad_gpio59	PWM3/GPIO59 Pad function 0
pad_gpio60	I2S_SDAO/GPIO60 Pad function 0
pad_gpio61	I2S_SDAI/GPIO61 Pad function 0
pad_gpio62	I2S_BCLK/GPIO62 Pad function 0
pad_gpio63	I2S_LRCLK/GPIO63 Pad function 0
pad_gpio64	I2S_MCLK/GPIO64 Pad function 0
pad_gpio65	I2S_CLK22/GPIO65 Pad function 0
pad_gpio66	I2S_CLK24/GPIO66 Pad function 0
pad_oc_n	OC_N/GPIO1 Pad function 1
pad_vbus_dtc	VBUS_DTC/GPIO3 Pad function 1
pad_enet_led0	ENET_LED0/GPIO4 Pad function 1
pad_enet_led1	ENET_LED1/GPIO5 Pad function 1

pad_cam_xclk	ADC1/CAM_XCLK/GPIO6 Pad function 1
pad_cam_pclk	ADC2/CAM_PCLK/GPIO7 Pad function 1
pad_cam_vd	ADC3/CAM_VD/GPIO8 Pad function 1
pad_cam_hd	ADC4/CAM_HD/GPIO9 Pad function 1
pad_cam_d7	ADC5/CAM_D7/GPIO10 Pad function 1
pad_cam_d6	ADC6/CAM_D6/GPIO11 Pad function 1
pad_cam_d5	ADC7/CAM_D5/GPIO12 Pad function 1
pad_cam_d4	DAC1/CAM_D4/GPIO13 Pad function 1
pad_cam_d3	DAC0/CAM_D3/GPIO14 Pad function 1
pad_cam_d2	CAN0_TXD/CAM_D2/GPIO15 Pad function 1
pad_cam_d1	CAN0_RXD/CAM_D1/GPIO16 Pad function 1
pad_cam_d0	CAN1_TXD/CAM_D0/GPIO17 Pad function 1
pad_sd_clk	SD_CLK/GPIO19 Pad function 1
pad_sd_cmd	SD_CMD/GPIO20 Pad function 1
pad_sd_data3	SD_DATA3/GPIO21 Pad function 1
pad_sd_data2	SD_DATA2/GPIO22 Pad function 1
pad_sd_data1	SD_DATA1/GPIO23 Pad function 1
pad_sd_data0	SD_DATA0/GPIO24 Pad function 1
pad_sd_cd	SD_CD/GPIO25 Pad function 1
pad_sd_wp	SD_WP/GPIO26 Pad function 1
pad_spim_sck	SPIM_CLK/GPIO27 Pad function 1
pad_spim_ss0	SPIM_SS0/GPIO28 Pad function 1
pad_spim_mosi	SPIM_MOSI/GPIO29 Pad function 1
pad_spim_miso	SPIM_MISO/GPIO30 Pad function 1
pad_spim_io2	SPIM_IO2/GPIO31 Pad function 1
pad_spim_io3	SPIM_IO3/GPIO32 Pad function 1
pad_spim_ss1	SPIM_SS1/GPIO33 Pad function 1
pad_spim_ss2	SPIM_SS2/GPIO34 Pad function 1
pad_spim_ss3	SPIM_SS3/GPIO35 Pad function 1

pad_spis0_clk	SPIS0_CLK/GPIO36 Pad function 1
pad_spis0_ss	SPIS0_SS/GPIO37 Pad function 1
pad_spis0_mosi	SPIS0_MOSI/GPIO38 Pad function 1
pad_spis0_miso	SPIS0_MISO/GPIO39 Pad function 1
pad_spis1_clk	SPIS1_CLK/GPIO40 Pad function 1
pad_spis1_ss	SPIS1_SS/GPIO41 Pad function 1
pad_spis1_mosi	SPIS1_MOSI/GPIO42 Pad function 1
pad_spis1_miso	SPIS1_MISO/GPIO43 Pad function 1
pad_i2c0_scl	I2C0_SCL/GPIO44 Pad function 1
pad_i2c0_sda	I2C0_SDA/GPIO45 Pad function 1
pad_i2c1_scl	I2C1_SCL/GPIO46 Pad function 1
pad_i2c1_sda	I2C1_SDA/GPIO47 Pad function 1
pad_pwm4	UART0_DTR/UART1_TXD/PWM4/GPIO52 Pad function 1
pad_pwm5	UART0_DSR/UART1_RXD/PWM5/GPIO53 Pad function 1
pad_pwm6	UART0_DCD/UART1_RTS/PWM6/GPIO54 Pad function 1
pad_pwm7	UART0_RI/UART1_CTS/PWM7/GPIO55 Pad function 1
pad_pwm0	PWM0/GPIO56 Pad function 1
pad_pwm1	PWM1/GPIO57 Pad function 1
pad_pwm2	PWM2/GPIO58 Pad function 1
pad_pwm3	PWM3/GPIO59 Pad function 1
pad_i2s_sdao	I2S_SDAO/GPIO60 Pad function 1
pad_i2s_sdai	I2S_SDAI/GPIO61 Pad function 1
pad_i2s_bclk	I2S_BCLK/GPIO62 Pad function 1
pad_i2s_lrclk	I2S_LRCLK/GPIO63 Pad function 1
pad_i2s_mclk	I2S_MCLK/GPIO64 Pad function 1
pad_i2s_clk22	I2S_CLK22/GPIO65 Pad function 1
pad_i2s_clk24	I2S_CLK24/GPIO66 Pad function 1
pad_can0_txd	CAN0_TXD/CAN_D2/GPIO15 Pad function 2
pad_can0_rxd	CAN0_RXD/CAN_D1/GPIO16 Pad function 2

pad_can1_txd	CAN1_TXD/CAM_D0/GPIO17 Pad function 2
pad_can1_rxd	CAN1_RXD/GPIO18 Pad function 2
pad_uart1_txd	UART0_DTR/UART1_TXD/PWM4/GPIO52 Pad function 2
pad_uart1_rxd	UART0_DSR/UART1_RXD/PWM5/GPIO53 Pad function 2
pad_uart1_rts	UART0_DCD/UART1_RTS/PWM6/GPIO54 Pad function 2
pad_uart1_cts	UART0_RI/UART1_CTS/PWM7/GPIO55 Pad function 2
pad_i2ss_bclk	I2S_BCLK/GPIO62 Pad function 2
pad_i2ss_lrclk	I2S_LRCLK/GPIO63 Pad function 2
pad_adc1	ADC1/CAM_XCLK/GPIO6 Pad function 3
pad_adc2	ADC2/CAM_PCLK/GPIO7 Pad function 3
pad_adc3	ADC3/CAM_VD/GPIO8 Pad function 3
pad_adc4	ADC4/CAM_HD/GPIO9 Pad function 3
pad_adc5	ADC5/CAM_D7/GPIO10 Pad function 3
pad_adc6	ADC6/CAM_D6/GPIO11 Pad function 3
pad_adc7	ADC7/CAM_D5/GPIO12 Pad function 3
pad_dac1	DAC1/CAM_D4/GPIO13 Pad function 3
pad_dac0	DAC0/CAM_D3/GPIO14 Pad function 3
pad_uart0_txd	UART0_TXD/GPIO48 Pad function 3
pad_uart0_rxd	UART0_RXD/GPIO49 Pad function 3
pad_uart0_rts	UART0_RTS/GPIO50 Pad function 3
pad_uart0_cts	UART0_CTS/GPIO51 Pad function 3
pad_uart0_dtr	UART0_DTR/UART1_TXD/PWM4/GPIO52 Pad function 3
pad_uart0_dsr	UART0_DSR/UART1_RXD/PWM5/GPIO53 Pad function 3
pad_uart0_dcd	UART0_DCD/UART1_RTS/PWM6/GPIO54 Pad function 3
pad_uart0_ri	UART0_RI/UART1_CTS/PWM7/GPIO55 Pad function 3

2.4.3.5 *pad_pull_t*

enum *pad_pull_t*

Pad pull up and pull downs control.

Enumerator	
<i>pad_pull_none</i>	No pull up or pull down
<i>pad_pull_pullup</i>	Weak pull up enabled
<i>pad_pull_pulldown</i>	Weak pull down enabled
<i>pad_pull_keeper</i>	Weak pull up/down reflects output

2.4.3.6 *pad_schmitt_t*

enum *pad_schmitt_t*

Pad Schmitt trigger control.

Enumerator	
<i>pad_schmitt_off</i>	Pad input is filtered through a schmitt trigger
<i>pad_schmitt_on</i>	Pad input is unfiltered

2.4.3.7 *pad_slew_t*

enum *pad_slew_t*

Pad slew rate control.

Enumerator	
<i>pad_slew_fast</i>	Fast Slew Rate
<i>pad_slew_slow</i>	Slow Slew Rate

2.4.4 Function Documentation

2.4.4.1 *gpio_dir*

```
int8_t gpio_dir ( uint8_t    num,
                  pad_dir_t dir
                )
```

Configure the direction of a pin.

Parameters

num The GPIO number

dir The direction

Returns

On success a 0, otherwise -1

2.4.4.2 gpio_function

```
int8_t gpio_function ( uint8_t    num,  
                      pad_func_t func  
                      )
```

Configure the alternative function for a pin.

Parameters

num The GPIO number

func The function that the pin should use

Returns

On success a 0, otherwise -1

2.4.4.3 gpio_idrive

```
int8_t gpio_idrive ( uint8_t    num,  
                    pad_drive_t drive  
                    )
```

Configure the maximum current drive for a pin.

Parameters

num The GPIO number

drive The maximum current

Returns

On success a 0, otherwise -1

2.4.4.4 gpio_pull

```
int8_t gpio_pull ( uint8_t    num,  
                  pad_pull_t pull  
                  )
```

Configure the pull up/down for a pin.

Parameters

num The GPIO number

pull The pullup/down configuration

Returns

On success a 0, otherwise -1

2.4.4.5 *gpio_schmitt*

```
int8_t gpio_schmitt ( uint8_t    num,  
                    pad_schmitt_t schmitt  
                    )
```

Configure the schmitt trigger for a pin.

Parameters

num The GPIO number
schmitt The Schmitt trigger configuration

Returns

On success a 0, otherwise -1

2.4.4.6 *gpio_slew*

```
int8_t gpio_slew ( uint8_t    num,  
                 pad_slew_t  slew  
                 )
```

Configure the slew rate for a pin.

Parameters

num The GPIO number
slew The slew rate of the pin

Returns

On success a 0, otherwise -1

2.4.4.7 *gpio_read*

```
int8_t gpio_read ( uint8_t num )
```

Read a value from a GPIO pin.

Parameters

num The GPIO number

Returns

The value of the pin (1 = high, 0 = low), otherwise -1

2.4.4.8 *gpio_write*

```
int8_t gpio_write ( uint8_t num,  
                   uint8_t val  
                   )
```

Write a value to a GPIO pin.

Parameters

num The GPIO number

val The value to write

Returns

On success a 0, otherwise -1

2.4.4.9 *gpio_toggle*

```
int8_t gpio_toggle ( uint8_t num )
```

Toggle the value of a GPIO pin.

Parameters

num The GPIO number

Returns

On success a 0, otherwise -1

2.4.4.10 *gpio_interrupt_enable*

```
int8_t gpio_interrupt_enable ( uint8_t num,  
                              gpio_int_edge_t edge  
                              )
```

Enable an interrupt on a GPIO pin.

Parameters

num The GPIO number

edge The edge at which to trigger on

Returns

On success a 0, otherwise -1

2.4.4.11 *gpio_interrupt_disable*

```
int8_t gpio_interrupt_disable ( uint8_t num )
```

Disable an interrupt on a GPIO pin.

Parameters

num The GPIO number

Returns

On success a 0, otherwise -1

2.4.4.12 gpio_is_interrupted

```
int8_t gpio_is_interrupted ( uint8_t num )
```

Check if an interrupt has happened on a GPIO pin.

Parameters

num The GPIO number

Returns

On no interrupt 0, on an interrupt 1, otherwise -1

2.5 Assembler Definitions

The file **ft900_asm.h** contains the definitions for assembler instructions used in the libft900.a library.

2.5.1 API Cross Reference

No additional definitions are required.

2.5.2 Macro Documentation

2.5.2.1 *asm_noop*

```
#define asm_noop()
```

A No Operation Instruction.

2.5.2.2 *asm_memcpy8*

```
#define asm_memcpy8(src, dst, size)
```

8-bitwise memory copy.

Parameters

src A pointer to the source data.

dst A pointer to the destination data.

size The size of the data to copy.

2.5.2.3 *asm_memcpy16*

```
#define asm_memcpy16(src, dst, size)
```

16-bitwise memory copy.

Parameters

src A pointer to the source data.

dst A pointer to the destination data.

size The size of the data to copy.

2.5.2.4 *asm_memcpy32*

```
#define asm_memcpy32(src, dst, size)
```

32-bitwise memory copy.

Parameters

src A pointer to the source data.

dst A pointer to the destination data.

size The size of the data to copy.

2.5.2.5 *asm_memset8*

```
#define asm_memset8(val, dst, size)
```

8-bitwise memory set.

Parameters

val The value to set the memory to.

dst A pointer to the destination data.

size The size of the data to copy.

2.5.2.6 *asm_memset16*

```
#define asm_memset16(val, dst, size)
```

16-bitwise memory set.

Parameters

val The value to set the memory to.

dst A pointer to the destination data.

size The size of the data to copy.

2.5.2.7 *asm_memset32*

```
#define asm_memset32(val, dst, size)
```

32-bitwise memory set.

Parameters

val The value to set the memory to.

dst A pointer to the destination data.

size The size of the data to copy.

2.5.2.8 *asm_strcpy*

```
#define asm_strcpy(src, dst)
```

String copy.

Parameters

src A pointer to the source string.

dst A pointer to the destination string.

2.5.2.9 *asm_streamin8*

```
#define asm_streamin8 (src, dst, size)
```

8-bitwise memory stream from FIFO to memory.

Parameters

src A pointer to the source registers.

dst A pointer to the destination data.

size The size of the data to copy.

2.5.2.10 *asm_streamin16*

```
#define asm_streamin16(src, dst, size)
```

16-bitwise memory stream from FIFO to memory.

Parameters

src A pointer to the source registers.

dst A pointer to the destination data.

size The size of the data to copy.

2.5.2.11 *asm_streamin32*

```
#define asm_streamin(src, dst, size)
```

32-bitwise memory stream from FIFO to memory.

Parameters

src A pointer to the source registers.

dst A pointer to the destination data.

size The size of the data to copy.

2.5.2.12 *asm_streamout8*

```
#define asm_streamout8 (src, dst, size)
```

8-bitwise memory stream from memory to FIFO.

Parameters

src A pointer to the source data.

dst A pointer to the destination registers.

size The size of the data to copy.

2.5.2.13 *asm_streamout16*

```
#define asm_streamin16(src, dst, size)
```

16-bitwise memory stream from memory to FIFO.

Parameters

src A pointer to the source data.

dst A pointer to the destination registers.

size The size of the data to copy.

2.5.2.14 *asm_streamout32*

```
#define asm_streamout(src, dst, size)
```

32-bitwise memory stream from memory to FIFO.

Parameters

- src** A pointer to the source data.
- dst** A pointer to the destination registers.
- size** The size of the data to copy.

2.5.2.15 asm_setbit**#define asm_setbit(val, bit)**

Set a bit in a 32 bit value.

Parameters

- val** The value to use.
- bit** The bit position to set.

2.5.2.16 asm_clrbit**#define asm_clrbit(val, bit)**

Set a bit in a 32 bit value.

Parameters

- val** The value to use.
- bit** The bit position to clear.

2.5.2.17 asm_flip32**#define asm_flip32(src, dst, val)**

Flip bit regions.

Parameters

- src** A pointer to the source data.
- dst** A pointer to the destination data.
- val** The region of bits to flip.
- If bit 0 is set, then every alternate bit is exchanged.
 - If bit 1 is set, then every alternate 2-bit group is exchanged.
 - If bit 2 is set, then every alternate 4-bit group is exchanged.
 - If bit 3 is set, then every alternate 8-bit group is exchanged.
 - If bit 4 is set, then the two 16-bit groups are exchanged.

2.5.2.18 asm_reverse_endianness**#define asm_reverse_endianness (val)**Reverse the endianness of a value.**Parameters**

- val** The value to use.

2.5.2.19 *asm_reverse_bits*

```
#define asm_reverse_bits (val)
```

Reverse the bits of a value.

Parameters

val The value to use.

2.5.2.20 *asm_rotate32*

```
#define asm_rotate32 (val, num)
```

Rotate bits left or right.

Parameters

val The value to use.

num The number and direction to rotate in (negative numbers rotate left).

2.5.3 Function Documentation

2.5.3.1 *asm_strcmp*

```
static inline int32_t asm_strcmp(const char *src1, const char *src2)
```

String compare.

Parameters

src1 A pointer to the first source string.

src2 A pointer to the second source string.

Returns

The difference between the two strings.

2.5.3.2 *asm_strlen*

```
static inline int32_t asm_strlen(const char *src)
```

String length.

Parameters

src A pointer to the source string.

Returns

The length of the string.

2.6 Watchdog Timer

The file **ft900_wdt.h** contains the definitions for the watchdog timer functions in the libft900.a library.

2.6.1 API Cross Reference

Additional definitions are taken from:

ft900_registers.h – FT900 register definitions

2.6.2 Enumeration Type Documentation

2.6.2.1 *wdt_counter_t*

```
enum wdt_counter_t
```

Watchdog Timeouts.

Enumerator	
wdt_counter_1_clocks	10 nsec @ 100 MHz
wdt_counter_2_clocks	20 nsec @ 100 MHz
wdt_counter_4_clocks	40 nsec @ 100 MHz
wdt_counter_8_clocks	80 nsec @ 100 MHz
wdt_counter_16_clocks	160 nsec @ 100 MHz
wdt_counter_32_clocks	320 nsec @ 100 MHz
wdt_counter_64_clocks	640 nsec @ 100 MHz
wdt_counter_128_clocks	1.28 usec @ 100 MHz
wdt_counter_256_clocks	2.56 usec @ 100 MHz
wdt_counter_512_clocks	5.12 usec @ 100 MHz
wdt_counter_1K_clocks	10.24 usec @ 100 MHz
wdt_counter_2K_clocks	20.48 usec @ 100 MHz
wdt_counter_4K_clocks	40.96 usec @ 100 MHz
wdt_counter_8K_clocks	81.92 usec @ 100 MHz
wdt_counter_16K_clocks	163.84 usec @ 100 MHz
wdt_counter_32K_clocks	327.68 usec @ 100 MHz
wdt_counter_64K_clocks	655.35 usec @ 100 MHz
wdt_counter_128K_clocks	~1.31 msec @ 100 MHz
wdt_counter_256K_clocks	~2.62 msec @ 100 MHz

wdt_counter_512K_clocks	~5.24 msec @ 100 MHz
wdt_counter_1M_clocks	~10.49 msec @ 100 MHz
wdt_counter_2M_clocks	~20.97 msec @ 100 MHz
wdt_counter_4M_clocks	~41.94 msec @ 100 MHz
wdt_counter_8M_clocks	~83.89 msec @ 100 MHz
wdt_counter_16M_clocks	~167.77 msec @ 100 MHz
wdt_counter_32M_clocks	~335.54 msec @ 100 MHz
wdt_counter_64M_clocks	~671.09 msec @ 100 MHz
wdt_counter_128M_clocks	~1.34 sec @ 100 MHz
wdt_counter_256M_clocks	~2.68 sec @ 100 MHz
wdt_counter_512M_clocks	~5.37 sec @ 100 MHz
wdt_counter_1G_clocks	~10.74 sec @ 100 MHz
wdt_counter_2G_clocks	~21.47 sec @ 100 MHz

2.6.3 Function Documentation

2.6.3.1 *wdt_init*

int8_t wdt_init (wdt_counter_t timeout)

Initialise and start the Watchdog timer.

Parameters

timeout The timeout value of the Watchdog

Returns

0 on success, -1 otherwise

2.6.3.2 *wdt_kick*

int8_t wdt_kick (void)

Reset a running Watchdog Timer.

Returns

0 on success, -1 otherwise

2.7 Timers

The file **ft900_timers.h** contains the definitions for the timer management functions in the libft900.a library.

2.7.1 API Cross Reference

Additional definitions are taken from:

ft900_registers.h – FT900 register definitions

2.7.2 Enumeration Type Documentation

2.7.2.1 *timer_select_t*

enum timer_select_t

Timer Select.

Enumerator	
timer_select_a	Timer A
timer_select_b	Timer B
timer_select_c	Timer C
timer_select_d	Timer D

2.7.2.2 *timer_direction_t*

enum timer_direction_t

Timer count direction.

Enumerator	
timer_direction_up	Count up
timer_direction_down	Count down

2.7.2.3 *timer_mode_t*

enum timer_mode_t

Timer count mode.

Enumerator	
timer_mode_continuous	Count continuous
timer_mode_oneshot	Count one shot

2.7.2.4 *timer_prescaler_select_t*

enum timer_prescaler_select_t

Timer prescaler select.

Enumerator	
timer_prescaler_select_off	Timer prescaler off
timer_prescaler_select_on	Timer prescaler on

2.7.3 Function Documentation

2.7.3.1 *timer_init*

```
int8_t timer_init ( timer_select_t      timer,  
                  uint16_t             initial,  
                  timer_direction_t    dir,  
                  timer_prescaler_select_t prescaler,  
                  timer_mode_t         mode  
                  )
```

Initialise a timer.

Parameters

- timer** The timer to set up
- initial** The initial value for the timer
- dir** The direction that the timer should count in
- prescaler** Whether or not this timer should use the prescaler
- mode** If the timer should be continuously counting or a one shot

Returns

On success a 0, otherwise -1

2.7.3.2 *timer_start*

```
int8_t timer_start ( timer_select_t timer )
```

Start a timer.

Parameters

- timer** The timer to start

Returns

On success a 0, otherwise -1

2.7.3.3 timer_stop

```
int8_t timer_stop ( timer_select_t timer )
```

Stop a timer.

Parameters

timer The timer to stop

Returns

2.7.3.4 On success a 0, otherwise -1timer_read

```
int8_t timer_read ( timer_select_t timer,  
                  uint16_t* value  
                  )
```

Read the value of a timer.

Parameters

timer The timer to read from

value A pointer to store the value

Returns

On success a 0, otherwise -1

2.7.3.5 timer_prescaler

```
int8_t timer_prescaler ( uint16_t prescaler )
```

Set up the prescaler.

Parameters

prescaler The clock prescaler to apply to the timer

Returns

On success a 0, otherwise -1

Warning

This can only be used before starting timers

2.7.3.6 timer_disable_interrupt

```
int8_t timer_disable_interrupt (timer_select_t)
```

Disable the interrupt for a timer.

Parameters

timer The timer to disable the interrupt for

Returns

On success a 0, otherwise -1

2.7.3.7 timer_enable_interrupt

int8_t timer_enable_interrupt (timer_select_t timer)

Enable the interrupt for a timer.

Parameters

timer The timer to enable the interrupt for

Returns

On success a 0, otherwise -1

2.7.3.8 timer_is_interrupted

int8_t timer_is_interrupted (timer_select_t timer)

Check if a timer has been interrupted.

Parameters

timer The timer to check

Warning

This function clears the current interrupt status bit

Returns

1 for if a timer is interrupted, 0 if the timer is not interrupted, -1 otherwise

2.8 Analogue to Digital Converter

The file **ft900_adc.h** contains the definitions for the analogue to digital conversion functions in the libft900.a library.

2.8.1 API Cross Reference

It utilises the following library APIs:

ft900_asm.h – FT900 assembler definitions

Additional definitions are taken from:

ft900_registers.h – FT900 register definitions

2.8.2 Enumeration Type Documentation

2.8.2.1 *adc_mode_t*

```
enum adc_mode_t
```

ADC Run Mode.

Enumerator	
<code>adc_mode_single</code>	One analogue reading will be taken and then the ADC stopped
<code>adc_mode_continuous</code>	The ADC will continuously acquire analogue readings

2.8.3 Function Documentation

2.8.3.1 *adc_start*

```
int8_t adc_start ( uint8_t channel )
```

Start the ADC capturing.

Parameters

channel The channel to select

Returns

0 on success, -1 otherwise

2.8.3.2 *adc_stop*

```
int8_t adc_stop ( void )
```

Stop the ADC from capturing.

Returns

2.8.3.3 0 on success, -1 otherwiseadc_mode

```
int8_t adc_mode (adc_mode_t mode)
```

Choose the mode that the ADC will run in.

Parameters

mode The mode (single or continuous)

Returns

0 on success, -1 otherwise

2.8.3.4 adc_read

```
int8_t adc_read ( uint16_t * val )
```

Get the next sample from the ADC.

Parameters

val A pointer to store the sample

Returns

The number of samples read, -1 otherwise

2.8.3.5 adc_readn

```
int8_t adc_readn ( uint16_t * val,  
                  size_t len  
                  )
```

Get a collection of samples from the ADC.

Parameters

val An array pointer to store the samples

len The length of the array

Warning

This function will only work when the ADC is in continuous mode

Returns

The number of samples read, -1 otherwise

2.8.3.6 adc_available

```
uint8_t adc_available ( void )
```

Get the number of ADC samples available.

Returns

The number of ADC samples

2.8.3.7 *adc_disable_interrupt*

int8_t adc_disable_interrupt (void)

Disable the Interrupt on the ADC.

Returns

0 on success, -1 otherwise

2.8.3.8 *adc_enable_interrupt*

int8_t adc_enable_interrupt (void)

Enable the Interrupt on the ADC.

Returns

0 on success, -1 otherwise

2.8.3.9 *adc_is_interrupted*

int8_t adc_is_interrupted (void)

Check that the ADC has been interrupted.

Warning

This function will clear the current interrupt bit when called

Returns

1 interrupted, 0 not interrupted

2.9 Digital to Analogue Converter

The file **ft900_dac.h** contains the definitions for the digital to analogue conversion functions in the libft900.a library.

2.9.1 API Cross Reference

It utilises the following library APIs:

ft900_asm.h – FT900 assembler definitions

Additional definitions are taken from:

ft900_registers.h – FT900 register definitions

2.9.2 Enumeration Type Documentation

2.9.2.1 *dac_mode_t*

enum **dac_mode_t**

DAC run mode.

Enumerator	
<code>dac_mode_single</code>	Run the DAC in Single Shot mode
<code>dac_mode_continuous</code>	Run the DAC in Continuous mode

2.9.3 Function Documentation

2.9.3.1 *dac_start*

`int8_t dac_start (uint8_t num)`

Start the DAC.

Parameters

num The DAC to use

Returns

0 on success, -1 otherwise

2.9.3.2 *dac_stop*

`int8_t dac_stop (uint8_t num)`

Stop the DAC.

Parameters

num The DAC to use

Returns

0 on success, -1 otherwise

2.9.3.3 *dac_mode*

```
int8_t dac_mode ( uint8_t    num,  
                 dac_mode_t mode  
                 )
```

Select the mode of the DAC.

Parameters

num The DAC to use

mode The mode the DAC should be in (single or continuous)

Returns

0 on success, -1 otherwise

2.9.3.4 *dac_divider*

```
int8_t dac_divider ( uint8_t div )
```

Select the divider for the DAC conversion rate.

$f_{DAC} = f_{peripheral} / div + 1$

Parameters

div The divider

Warning

The maximum conversion rate is 1 MHz

Returns

0 on success, -1 otherwise

2.9.3.5 *dac_write*

```
int8_t dac_write ( uint8_t  num,  
                  uint16_t data  
                  )
```

Write a value to the DAC.

This function will automatically update the DAC when it is in single mode.

Parameters

num The DAC to use

data The sample to write

Returns

The number of bytes written, -1 otherwise

2.9.3.6 *dac_writen*

```
int8_t dac_writen ( uint8_t  num,  
                   uint16_t * data,  
                   size_t   len  
                   )
```

Write a series of values to the DAC.

Parameters

- num** The DAC to use
- data** The array of samples to write
- len** The size of the array

Warning

This function will only work when continuous mode is selected

Returns

The number of bytes written, -1 otherwise

2.9.3.7 *dac_available*

```
uint8_t dac_available ( uint8_t num )
```

See how many samples are still being converted.

Parameters

- num** The DAC to use

Returns

The number of samples still to be converted, or 0 otherwise

2.9.3.8 *dac_disable_interrupt*

```
int8_t dac_disable_interrupt ( uint8_t num )
```

Disable the interrupt on a DAC.

Parameters

- num** The DAC to use

Returns

0 on success, -1 otherwise

2.9.3.9 *dac_enable_interrupt*

```
int8_t dac_enable_interrupt ( uint8_t num )
```

Enable the interrupt on a DAC.

Enable the DAC module to generate an interrupt. The DAC module will generate an interrupt after 64 samples have been generated on the DAC.

Parameters

num The DAC to use

Returns

0 on success, -1 otherwise

2.9.3.10 *dac_is_interrupted*

```
int8_t dac_is_interrupted ( uint8_t num )
```

Check if the DAC has fired an interrupt.

Parameters

num The DAC to use

Warning

This function clears the current interrupt status bit

Returns

1 when interrupted, 0 when not interrupted, -1 otherwise

2.10 Ethernet driver

The file **ft900_eth.h** contains the definitions for the Ethernet management and control functions in the libft900.a library.

2.10.1 API Cross Reference

It utilises the following library APIs:

ft900_sys.h – Chip Management

ft900_gpio.h – General Purpose I/O and Pad Control

Additional definitions are taken from:

ft900_registers.h – FT900 register definitions

2.10.2 Enumeration Type Documentation

2.10.2.1 ethernet_led_mode_t

```
enum ethernet_led_mode_t
```

Ethernet LED pin mode.

Enumerator	
ethernet_led_mode_link	Link active
ethernet_led_mode_tx	Transmit
ethernet_led_mode_rx	Receive
ethernet_led_mode_col	Collision
ethernet_led_mode_fdx	Full duplex
ethernet_led_mode_spd	Speed 10/100

2.10.3 Function Documentation

2.10.3.1 ethernet_init

```
void ethernet_init ( const uint8_t* mac )
```

Initialise the ethernet hardware.

Parameters

mac pointer to a six byte array containing MAC

2.10.3.2 ethernet_tx_enable

```
void ethernet_tx_enable ( int flag )
```

Enable or disable the Ethernet transmitter.

Parameters

flag 0 - disable transmitter, 1 - enable transmitter

2.10.3.3 ethernet_rx_enable

```
void ethernet_rx_enable ( int flag )
```

Enable or disable the Ethernet receiver.

Parameters

flag 0 - disable receiver, 1 - enable receiver

2.10.3.4 ethernet_led_mode

```
void ethernet_led_mode ( uint8_t led,  
                        ethernet_led_mode_t mode  
                        )
```

Set the mode of the led.

Parameters

led The number of the led (0 or 1)

mode The mode which the led will be in

2.10.3.5 ethernet_set_mac

```
void ethernet_set_mac ( const uint8_t * mac )
```

Set the Ethernet MAC.

Parameters

mac A pointer to a six byte array containing MAC

2.10.3.6 ethernet_set_promiscuous

```
void ethernet_set_promiscuous ( int flag )
```

Set the Ethernet peripheral in promiscuous mode.

Parameters

flag 0 - reset promiscuous mode, 1 - set promiscuous mode

2.10.3.7 ethernet_read

```
int ethernet_read ( size_t * blen,  
                  uint8_t * buf  
                  )
```

Poll the ethernet peripheral for the reception of a single packet.

Parameters

buf Pointer to buffer to store the received packet.

blen Size of reception buffer

Returns

1 packet received, 0 no packet received

2.10.3.8 ethernet_mii_read

```
uint16_t ethernet_mii_read ( uint8_t reg )
```

Read the content of an MII register.

Parameters

reg register to read

Returns

The content of requested register

2.10.3.9 ethernet_write

```
int ethernet_write ( uint8_t * buf,
                    size_t   blen
                    )
```

Outputs a packet on the ethernet interface.

The buffer must be in the following format: To send (n) bytes

Offset	Use
buf[0]	lsb of payload length (n & 0xff)
buf[1]	msb of payload length (n >> 16)
buf[2]	destination MAC[0]
buf[3]	destination MAC[1]
buf[4]	destination MAC[2]
buf[5]	destination MAC[3]
buf[6]	destination MAC[4]
buf[7]	destination MAC[5]
buf[8]	source MAC[0]
buf[9]	source MAC[1]
buf[10]	source MAC[2]
buf[11]	source MAC[3]
buf[12]	source MAC[4]
buf[13]	source MAC[5]
buf[14]	packet type
buf[15]	packet type
buf[16]	payload
buf[.]	...

buf[n+16]	end of payload (n bytes).
-----------	---------------------------

Parameters

buf Pointer to packet to send

blen Length of packet to send (in bytes)

2.10.3.10 ethernet_mii_write

```
int ethernet_mii_write ( uint8_t reg,  
                        uint16_t v  
                        )
```

Write a value to an MII register.

Parameters

reg Register to write to

v Value to write to requested register

Returns

0 on success, -1 on error

2.10.3.11 ethernet_is_link_up

```
int ethernet_is_link_up ( void )
```

Return the Ethernet link status.

Returns

1 - link up, 0 - link is not up.

2.10.3.12 ethernet_enable_interrupt

```
void ethernet_enable_interrupt ( uint8_t mask )
```

Enable the Ethernet peripheral to fire interrupts.

Parameters

mask

2.11 UART

The file **ft900_simple_uart.h** contains the definitions for the UART management and control functions in the libft900.a library.

2.11.1 API Cross Reference

It utilises the following library APIs:

ft900_asm.h – FT900 assembler definitions

Additional definitions are taken from:

ft900_registers.h – FT900 register definitions

2.11.2 Macro Definition Documentation

```
#define UART_DIVIDER_1000000_BAUD (25)
```

Predefined divider for 1000000 baud.

```
#define UART_DIVIDER_110_BAUD (56818)
```

Predefined divider for 110 baud.

```
#define UART_DIVIDER_115200_BAUD (217)
```

Predefined divider for 115200 baud.

```
#define UART_DIVIDER_1200_BAUD (20833)
```

Predefined divider for 1200 baud.

```
#define UART_DIVIDER_150_BAUD (55555)
```

Predefined divider for 150 baud.

```
#define UART_DIVIDER_19200_BAUD (1302)
```

Predefined divider for 19200 baud.

```
#define UART_DIVIDER_230400_BAUD (109)
```

Predefined divider for 230400 baud.

```
#define UART_DIVIDER_2400_BAUD (10417)
```

Predefined divider for 2400 baud.

```
#define UART_DIVIDER_300_BAUD (27778)
```

Predefined divider for 300 baud.

```
#define UART_DIVIDER_31250_BAUD (800)
```

Predefined divider for 31250 baud.

```
#define UART_DIVIDER_38400_BAUD (651)
```

Predefined divider for 38400 baud.

```
#define UART_DIVIDER_460800_BAUD (54)
```

Predefined divider for 460800 baud.

```
#define UART_DIVIDER_4800_BAUD (5208)
```

Predefined divider for 4800 baud.

```
#define UART_DIVIDER_57600_BAUD (434)
```

Predefined divider for 57600 baud.

```
#define UART_DIVIDER_921600_BAUD (27)
```

Predefined divider for 921600 baud.

```
#define UART_DIVIDER_9600_BAUD (2604)
```

Predefined divider for 9600 baud.

2.11.3 Enumeration Type Documentation

2.11.3.1 *uart_data_bits_t*

```
enum uart_data_bits_t
```

UART Data bits.

Enumerator	
uart_data_bits_5	5 data bits
uart_data_bits_6	6 data bits
uart_data_bits_7	7 data bits
uart_data_bits_8	8 data bits

2.11.3.2 *uart_interrupt_t*

```
enum uart_interrupt_t
```

UART Interrupts.

Enumerator	
uart_interrupt_tx	Transmit Interrupt
uart_interrupt_rx	Receive Interrupt
uart_interrupt_dcd_ri_dsr_cts	DCD/RI/DSR/CTS Change Interrupt

2.11.3.3 *uart_parity_t*

```
enum uart_parity_t
```

UART Parity bits.

Enumerator	
uart_parity_none	No parity
uart_parity_odd	Odd parity
uart_parity_even	Even parity

2.11.3.4 *uart_stop_bits_t*

enum *uart_stop_bits_t*

UART Stop bits.

Enumerator	
<i>uart_stop_bits_1</i>	1 stop bit
<i>uart_stop_bits_1_5</i>	1.5 stop bit
<i>uart_stop_bits_2</i>	2 stop bit

2.11.4 Function Documentation

2.11.4.1 *uart_open*

```
int8_t uart_open ( ft900_uart_regs_t * dev,
                  uint8_t      prescaler,
                  uint32_t     divisor,
                  uart_data_bits_t databits,
                  uart_parity_t  parity,
                  uart_stop_bits_t stop
                  )
```

Open a UART for communication.

Parameters

- dev** The device to use
- prescaler** The value of the prescaler
- divisor** The value of the divisor
- databits** The number of data bits
- parity** The parity scheme
- stop** The number of stop bits

Warning

1.5 stop bits is only available in 5 bit mode

Returns

0 on success, -1 otherwise

2.11.4.2 *uart_close*

```
int8_t uart_close ( ft900_uart_regs_t * dev )
```

Close a UART from communication.

Parameters

dev The device to use

Returns

0 on success, -1 otherwise

2.11.4.3 *uart_calculate_baud*

```
int32_t uart_calculate_baud ( uint32_t target_baud,
                             uint8_t samples,
                             uint32_t f_perif,
                             uint16_t * divisor,
                             uint8_t * prescaler
                             )
```

Calculate the prescaler and divisor from a baudrate.

Parameters

target_baud The baud rate to use

samples The number of samples the UART will take for a bit, the default for this is 4

f_perif Peripheral frequency, the default for this is 100,000,000

divisor A pointer to store the divisor

prescaler A pointer to store the prescaler, if this is NULL the prescaler will be set to 1

For Nsamples = 4 the following baud rates can be obtained from these Divisors and Prescalers:

Desired baud	Prescaler	Divisor	Actual baud	Error
110	4	56818	110.00035	~0.000%
150	3	55555	150.00150	+0.001%
300	3	27778	299.99760	~0.000%
1200	1	20833	1200.01920	+0.002%
2400	1	10417	2399.92320	-0.003%
4800	1	5208	4800.30720	+0.006%
9600	1	2604	9600.61440	+0.006%
19200	1	1302	19201.2288	+0.006%
31250	1	800	31250.00000	0.000%
38400	1	651	38402.45800	+0.006%

57600	1	434	57603.68700	+0.006%
115200	1	217	115207.37000	+0.006%
230400	1	109	229357.80000	-0.452%
460800	1	54	462962.96000	-0.469%
921600	1	27	925925.93000	-0.469%
1000000	1	25	1000000.00000	0.000%

Returns

The absolute error from the target baud rate

2.11.4.4 *uart_puts*

```
size_t uart_puts ( ft900_uart_regs_t * dev,
                  char *          str
                  )
```

Write a string to the serial port.

Parameters

dev The device to use

str The null-terminated string to write

Returns

The number of bytes written or -1 otherwise

2.11.4.5 *uart_read*

```
size_t uart_read ( ft900_uart_regs_t * dev,
                  uint8_t *          buffer
                  )
```

Read a data word from a UART.

Parameters

dev The device to use

buffer A pointer to the data word to store into

Returns

The number of bytes read or -1 otherwise

2.11.4.6 *uart_readn*

```
size_t uart_readn ( ft900_uart_regs_t * dev,  
                  uint8_t *          buffer,  
                  size_t            len  
                  )
```

Read a series of data words from a UART.

Parameters

- dev** The device to use
- buffer** A pointer to the array of data words to store into
- len** The number of data words to read

Returns

The number of bytes read or -1 otherwise

2.11.4.7 *uart_write*

```
size_t uart_write ( ft900_uart_regs_t * dev,  
                  uint8_t            buffer  
                  )
```

Write a data word to a UART.

Parameters

- dev** The device to use
- buffer** The data to send

Returns

The number of bytes written or -1 otherwise

2.11.4.8 *uart_writen*

```
size_t uart_writen ( ft900_uart_regs_t * dev,  
                   uint8_t *          buffer,  
                   size_t            len  
                   )
```

Write a series of data words to a UART.

Parameters

- dev** The device to use
- buffer** A pointer to the array to send
- len** The size of buffer

Returns

The number of bytes written or -1 otherwise

2.11.4.9 *uart_is_interrupted*

```
int8_t uart_is_interrupted ( ft900_uart_regs_t * dev,  
                            uart_interrupt_t   interrupt  
                            )
```

Check if an interrupt has been triggered.

Parameters

dev The device to use
interrupt The interrupt to check

Warning

This function clears the current interrupt status bit

Returns

1 when interrupted, 0 when not interrupted, -1 otherwise

2.11.4.10 *uart_enable_interrupt*

```
int8_t uart_enable_interrupt ( ft900_uart_regs_t * dev,  
                              uart_interrupt_t   interrupt  
                              )
```

Enable an interrupt on the UART.

Parameters

dev The device to use
interrupt The interrupt to enable

Returns

0 on success, -1 otherwise

2.11.4.11 *uart_enable_interrupts_globally*

```
int8_t uart_enable_interrupts_globally ( ft900_uart_regs_t * dev )
```

Enable a UART to interrupt.

Parameters

dev The device to use

Returns

0 on success, -1 otherwise

2.11.4.12 *uart_disable_interrupt*

```
int8_t uart_disable_interrupt ( ft900_uart_regs_t * dev,  
                               uart_interrupt_t  interrupt  
                               )
```

Disable an interrupt on the UART.

Parameters

dev The device to use

interrupt The interrupt to disable

Returns

0 on success, -1 otherwise

2.11.4.13 *uart_disable_interrupts_globally*

```
int8_t uart_disable_interrupts_globally ( ft900_uart_regs_t * dev )
```

Disable a UART from interrupting.

Parameters

dev The device to use

Returns

0 on success, -1 otherwise

2.12 I²C Master

The file **ft900_i2cm.h** contains the definitions for the I2C master bus functions in the libft900.a library.

2.12.1 API Cross Reference

It utilises the following library APIs:

ft900_asm.h – FT900 assembler definitions

Additional definitions are taken from:

ft900_registers.h – FT900 register definitions

2.12.2 Enumeration Type Documentation

2.12.2.1 I2CM_speed_mode

```
enum I2CM_speed_mode
```

Available speed modes.

Enumerator	
I2CM_NORMAL_SPEED	Up to 100 kbps
I2CM_FAST_SPEED	Up to 400 kbps
I2CM_FAST_PLUS_SPEED	Up to 1000 kbps
I2CM_HIGH_SPEED	Up to 3400 kbps

2.12.3 Function Documentation

2.12.3.1 i2cm_init

```
void i2cm_init ( I2CM_speed_mode mode,
                uint32_t          clk
                )
```

Call once, to initialise the master and reset it to a known state.

It is not valid to call any other I2C Master functions before this one.

Parameters

[in] **mode** I2C Master Clock mode

[in] **clk** The clock rate of the I2C bus

2.12.3.2 i2cm_read

```
int8_t i2cm_read ( const uint8_t  addr,
                  const uint8_t  cmd,
                  uint8_t*       data,
                  const uint16_t  number_to_read
```

)

Read a specified number of bytes from an I2C device.

Automatically adopts burst mode if the slave supports it, and more than one byte is to be read.

Parameters

- [in] **addr** I2C address to write to.
- [in] **cmd** I2C command byte
- [in] **data** Buffer containing bytes to write.
- [in] **number_to_read** Number of bytes to read.

Returns

0 on success, -1 on an error

2.12.3.3 i2cm_write

```
int8_t i2cm_write ( const uint8_t  addr,
                  const uint8_t  cmd,
                  const uint8_t * data,
                  const uint16_t  number_to_write
                  )
```

Write a specified number of bytes to an I2C device.

Automatically adopts burst mode if the slave supports it, and more than one byte is to be written.

Parameters

- [in] **addr** I2C address to write to.
- [in] **cmd** I2C command byte
- [in] **data** Buffer containing bytes to write.
- [in] **number_to_write** Number of bytes to read.

Returns

2.12.3.40 on success, -1 on an error i2cm_get_status

```
uint8_t i2cm_get_status ( void  )
```

Determine I2C Master status.

Bit	Mask Name	Set when...
0 (LSB)	MASK_I2CM_STATUS_I2C_BUSY	The Bus is currently busy transmitting/receiving
1	MASK_I2CM_STATUS_I2C_ERR	An error occurred (ADDR_ACK, DATA_ACK, ARB_LOST)
2	MASK_I2CM_STATUS_ADDR_ACK	Slave address was not acknowledged
3	MASK_I2CM_STATUS_DATA_ACK	Data was not acknowledged
4	MASK_I2CM_STATUS_ARB_LOST	Arbitration lost

5	MASK_I2CM_STATUS_I2C_IDLE	The I2C Controller is idle
6	MASK_I2CM_STATUS_BUS_BUSY	The I2C Bus is busy
7 (MSB)	-	-

Returns

0 on success, -1 on an error

2.12.3.5 i2cm_interrupt_disable

int8_t i2cm_interrupt_disable (uint8_t mask)

Disable an interrupt.

See also

i2cm_interrupt_enable

Parameters

mask The bit pattern of interrupts to disable

Returns

0 on success, -1 on an error

2.12.3.6 i2cm_interrupt_enable

int8_t i2cm_interrupt_enable (uint8_t mask)

Enable an interrupt.

Parameters

mask The bit pattern of interrupts to enable

Bit	Mask Name	Interrupts on...
0 (LSB)	MASK_I2CM_FIFO_INT_ENABLE_TX_EMPTY	When the Transmit FIFO is empty
1	MASK_I2CM_FIFO_INT_ENABLE_TX_HALF	When the Transmit FIFO is half empty
2	MASK_I2CM_FIFO_INT_ENABLE_TX_FULL	When the Transmit FIFO is full
3	MASK_I2CM_FIFO_INT_ENABLE_RX_EMPTY	When the Receive FIFO is empty
4	MASK_I2CM_FIFO_INT_ENABLE_RX_HALF	When the Receive FIFO is half full
5	MASK_I2CM_FIFO_INT_ENABLE_RX_FULL	When the Receive FIFO is full
6	MASK_I2CM_FIFO_INT_ENABLE_I2C_INT	When an operation is complete on the I2C Master
7 (MSB)	MASK_I2CM_FIFO_INT_ENABLE_DONE	

Returns

0 on success, -1 on an error

2.12.3.7 *i2cm_is_interrupted*

`int8_t i2cm_is_interrupted (uint8_t mask)`

Check that an interrupt has been fired.

See also

`i2cm_interrupt_enabled`

Parameters

mask The bit pattern of interrupts to check

Returns

1 if the interrupt has been fired, 0 if the interrupt has not been fired, -1 otherwise

2.13 I²C Slave

The file **ft900_i2cs.h** contains the definitions for the I2C slave bus functions in the `libft900.a` library.

2.13.1 API Cross Reference

It utilises the following library APIs:

ft900_asm.h – FT900 assembler definitions

Additional definitions are taken from:

ft900_registers.h – FT900 register definitions

2.13.2 Function Documentation

2.13.2.1 *i2cs_init*

`void i2cs_init (uint8_t addr)`

Call once, to initialise the slave and reset it to a known state.

Parameters

[in] **addr** Slave (read or write) address

`int8_t i2cs_is_interrupted (uint8_t mask)`

Check the status of an interrupt.

Parameters

mask The bit pattern of interrupts to check

Returns

1 if the interrupt has been fired, 0 if the interrupt has not been fired, -1 otherwise

2.13.2.2 *i2cs_read*

```
int8_t i2cs_read ( uint8_t * data,  
                  size_t   size  
                  )
```

Read a specified number of bytes from the I2C Slave.

This transaction is orchestrated by the I2C Master. The number of bytes written may be less than the number requested if the master terminates the transaction early.

Parameters

[out] **data** Caller-allocated buffer to receive any bytes read.

[in] **size** The number of bytes to read.

Returns

0 on success, -1 on an error

2.13.2.3 *i2cs_write*

```
int8_t i2cs_write ( const uint8_t * data,  
                   size_t         size  
                   )
```

Write a specified number of bytes to an open device.

This transaction is orchestrated by the I2C Master. The number of bytes written may be less than the number requested if the master terminates the transaction early.

Parameters

[in] **data** Buffer containing bytes to write.

[in] **size** The number of bytes to write.

Returns

0 on success, -1 on an error

2.13.2.4 *i2cs_get_status*

`uint8_t i2cs_get_status (void)`

Determine I2C Slave status.

Bit	Mask Name	Set when...
0 (LSB)	MASK_I2CS_STATUS_RX_REQ	The slave controller head received data
1	MASK_I2CS_STATUS_TX_REQ	The slave controller is transmitter and requires data
2	MASK_I2CS_STATUS_SEND_FIN	The master has ended the receive operation
3	MASK_I2CS_STATUS_REC_FIN	The master has ended the transmit operation
4	MASK_I2CS_STATUS_BUS_ACTV	The bus is currently busy with an operation
5	-	-
6	MASK_I2CS_STATUS_DEV_ACTV	The slave controller is enabled
7 (MSB)	-	-

Returns

Returns the status byte of the I2C Slave Status register

2.13.2.5 *i2cs_disable_interrupt*

`int8_t i2cs_disable_interrupt (uint8_t mask)`

Disable an interrupt.

Parameters

mask The bit pattern of interrupts to disable

Returns

0 on success, -1 on an error

2.13.2.6 *i2cs_enable_interrupt*

`int8_t i2cs_enable_interrupt (uint8_t mask)`

Enable an interrupt.

Parameters

mask The bit pattern of interrupts to enable

Returns

0 on success, -1 on an error

2.14 I²S Audio

The file **ft900_i2s.h** contains the definitions for the I2S bus functions in the libft900.a library.

2.14.1 API Cross Reference

It utilises the following library APIs:

ft900_asm.h – FT900 assembler definitions

Additional definitions are taken from:

ft900_registers.h – FT900 register definitions

2.14.2 Enumeration Type Documentation

2.14.2.1 *i2s_mode_t*

enum *i2s_mode_t*

I2S mode definitions.

Enumerator	
<i>i2s_mode_slave</i>	I2S Slave
<i>i2s_mode_master</i>	I2S Master

2.14.2.2 *i2s_format_t*

enum *i2s_format_t*

I2S format definitions.

Enumerator	
<i>i2s_format_i2s</i>	I2S format
<i>i2s_format_leftjust</i>	Left justified format
<i>i2s_format_rightjust</i>	Right justified format

2.14.2.3 *i2s_length_t*

enum *i2s_length_t*

I2S data length definitions.

Enumerator	
<i>i2s_length_16</i>	16 bit data length
<i>i2s_length_20</i>	20 bit data length
<i>i2s_length_24</i>	24 bit data length
<i>i2s_length_32</i>	32 bit data length

2.14.2.4 i2s_padding_t

enum i2s_padding_t

I2S padding definitions.

Enumerator	
i2s_padding_0	No padding
i2s_padding_4	4 bits of padding
i2s_padding_8	8 bits of padding
i2s_padding_12	12 bits of padding
i2s_padding_16	16 bits of padding

2.14.2.5 i2s_bclk_div

enum i2s_bclk_div

I2S BCLK speed definitions.

Enumerator	
i2s_bclk_div_1	Divide BCLK by 1
i2s_bclk_div_2	Divide BCLK by 2
i2s_bclk_div_3	Divide BCLK by 3
i2s_bclk_div_4	Divide BCLK by 4
i2s_bclk_div_6	Divide BCLK by 6
i2s_bclk_div_8	Divide BCLK by 8
i2s_bclk_div_12	Divide BCLK by 12
i2s_bclk_div_16	Divide BCLK by 16
i2s_bclk_div_24	Divide BCLK by 24
i2s_bclk_div_32	Divide BCLK by 32
i2s_bclk_div_48	Divide BCLK by 48
i2s_bclk_div_64	Divide BCLK by 64

2.14.2.6 i2s_mclk_div_t

enum i2s_mclk_div_t

I2S MCLK speed definitions.

Enumerator	
i2s_mclk_div_1	Divide MCLK by 1
i2s_mclk_div_2	Divide MCLK by 2
i2s_mclk_div_3	Divide MCLK by 3
i2s_mclk_div_4	Divide MCLK by 4
i2s_mclk_div_6	Divide MCLK by 6
i2s_mclk_div_8	Divide MCLK by 8
i2s_mclk_div_12	Divide MCLK by 12
i2s_mclk_div_16	Divide MCLK by 16
i2s_mclk_div_24	Divide MCLK by 24
i2s_mclk_div_32	Divide MCLK by 32
i2s_mclk_div_48	Divide MCLK by 48
i2s_mclk_div_64	Divide MCLK by 64

2.14.2.7 i2s_bclk_per_channel_t

enum i2s_bclk_per_channel_t

I2S BCLK cycles per channel, used in master mode only.

Enumerator	
i2s_bclk_per_channel_16	16 BCLK per channel
i2s_bclk_per_channel_32	32 BCLK per channel

2.14.2.8 i2s_master_input_clk_t

enum i2s_master_input_clk_t

I2S master input clk frequency definitions.

Enumerator	
i2s_master_input_clk_22mhz	22.5792 MHz Master clock
i2s_master_input_clk_24mhz	24.576 MHz Master clock

2.14.2.9 i2s_rx_t

enum i2s_rx_t

I2S RX definitions.

Enumerator	
i2s_rx_disabled	Receive Disabled
i2s_rx_enabled	Receive Enabled

2.14.2.10 *i2s_tx_t*

enum i2s_tx_t

I2S TX definitions.

Enumerator	
i2s_tx_disabled	Transmit Disabled
i2s_tx_enabled	Transmit Enabled

2.14.3 Function Documentation

2.14.3.1 *i2s_init*

```
void i2s_init ( i2s_mode_t          mode,
               i2s_length_t       length,
               i2s_format_t       format,
               i2s_padding_t       padding,
               i2s_master_input_clk_t mclk_in,
               i2s_bclk_div        bclk_div,
               i2s_mclk_div_t      mclk_div,
               i2s_bclk_per_channel_t bclk_per_channel
             )
```

Call once, to initialise the peripheral and reset it to a known state.

Parameters

[in] mode	The I2S Mode
[in] length	The transfer length
[in] format	The format of the transfer
[in] padding	The number of padding bits that have to be added to the transfer
[in] mclk_in	The MCLK to use
[in] bclk_div	The BCLK divider
[in] mclk_div	The MCLK divider
[in] bclk_per_channel	The number of BCLK per channel

2.14.3.2 i2s_start_rx

```
void i2s_start_rx ( void )
```

Start reception of the I2S Module.

2.14.3.3 i2s_start_tx

```
void i2s_start_tx ( void )
```

Start transmission of the I2S Module.

2.14.3.4 i2s_stop_rx

```
void i2s_stop_rx ( void )
```

Stop reception of the I2S Module.

2.14.3.5 i2s_stop_tx

```
void i2s_stop_tx ( void )
```

Stop transmission of the I2S Module.

2.14.3.6 i2s_read

```
size_t i2s_read ( uint8_t* data,  
                 const size_t num_bytes  
                )
```

Reads x number of bytes from the I2S FIFO.

Parameters

[out] **data** Caller-allocated buffer to receive any bytes read.

[in] **num_bytes** Number of bytes to read from the FIFO.

2.14.3.7 i2s_write

```
size_t i2s_write ( const uint8_t* data,  
                  const size_t num_bytes  
                  )
```

Writes x number of bytes to the I²S FIFO.

Warning

Due to the hardware implementation of I2S, there is a performance hit when using this function with 24 bit input.

Parameters

[in] **data** Buffer containing bytes to write.

[in] **num_bytes** Number of bytes to write to the FIFO.

2.14.3.8 *i2s_get_status*

uint16_t i2s_get_status (void)

Determine I2S status.

Get the status of the interrupts on the I2S module.

Returns

Returns the status of the I2S peripheral.

The copy of the Interrupt Status Register

2.14.3.9 *i2s_get_rx_count*

uint16_t i2s_get_rx_count (void)

Get the receive count of the I2S Module.

Returns

The number of receptions that have been made

2.14.3.10 *i2s_get_tx_count*

uint16_t i2s_get_tx_count (void)

Get the transmit count of the I2S Module.

Returns

The number of transmissions that have been made

2.14.3.11 *i2s_disable_int*

void i2s_disable_int (uint16_t mask)

Disable interrupts on the I2S module.

Parameters

mask The mask of bits to disable

See also

[i2s_enable_int](#)

2.14.3.12 *i2s_enable_int*

void i2s_enable_int (uint16_t mask)

Enable interrupts on the I2S module.

Bit	Mask Name	Interrupts when...
0 (LSB)	MASK_I2S_IE_FIFO_TX_UNDER	Transmit FIFO has underflowed
1	MASK_I2S_IE_FIFO_TX_EMPTY	Transmit FIFO is empty
2	MASK_I2S_IE_FIFO_TX_HALF_FULL	Transmit FIFO is half empty
3	MASK_I2S_IE_FIFO_TX_FULL	Transmit FIFO is full
4	MASK_I2S_IE_FIFO_TX_OVER	Transmit FIFO has overflowed

5	-	-
6	-	-
7	-	-
8	MASK_I2S_IE_FIFO_RX_UNDER	Receive FIFO has underflowed
9	MASK_I2S_IE_FIFO_RX_EMPTY	Receive FIFO is empty
10	MASK_I2S_IE_FIFO_RX_HALF_FULL	Receive FIFO is half empty
11	MASK_I2S_IE_FIFO_RX_FULL	Receive FIFO is full
12	MASK_I2S_IE_FIFO_RX_OVER	Receive FIFO has overflowed
13	-	-
14	-	-
15 (MSB)	-	-

Parameters

mask The mask of bits to enable

2.14.3.13 *i2s_clear_int_flag*

```
void i2s_clear_int_flag ( uint16_t mask )
```

Clear interrupt flags on the I2S module.

Parameters

mask The mask of bits to clear

2.14.3.14 *i2s_is_interrupted*

```
int8_t i2s_is_interrupted ( uint16_t mask )
```

Check if an interrupt has been fired.

Warning

This function will clear the current interrupts you are checking for

Parameters

mask The mask of interrupts to check for

Returns

1 when an interrupt has fired, 0 otherwise.

See also

[i2s_enable_int](#)

2.15 SPI Bus

The file **ft900_spi.h** contains the definitions for the SPI Master and Slave bus functions in the libft900.a library.

2.15.1 API Cross Reference

Additional definitions are taken from:

ft900_registers.h – FT900 register definitions

2.15.2 Enumeration Type Documentation

2.15.2.1 *enum spi_clock_mode_t*

The SPI mode.

Enumerator	
spi_mode_0	CPOL = 0, CPHA = 0
spi_mode_1	CPOL = 0, CPHA = 1
spi_mode_2	CPOL = 1, CPHA = 0
spi_mode_3	CPOL = 1, CPHA = 1

2.15.2.2 *enum spi_option_t*

SPI Options.

Enumerator	
spi_option_fifo	Enable or disable the FIFO
spi_option_fifo_size	Set the size of the FIFO
spi_option_fifo_receive_trigger	Set the FIFO trigger level
spi_option_force_ss_assertions	Force SS to go low in assert
spi_option_bus_width	Set the SPI bus width
spi_option_multi_receive	Set the SPI device to clock in data without loading it into the RX FIFO
spi_option_ignore_incoming	Not supported as of now.

2.15.2.3 *enum spi_dir_t*

SPI Direction.

Enumerator	
spi_dir_slave	The SPI Device is in Slave mode

spi_dir_master	The SPI Device is in Master mode
----------------	----------------------------------

2.15.2.4 enum spi_fifo_size_t

SPI FIFO size.

Enumerator	
spi_fifo_size_16	Use a 16 level FIFO
spi_fifo_size_64	Use a 64 Byte FIFO

2.15.2.5 enum spi_width_t

SPI Data Bus Width.

Enumerator	
spi_width_1bit	The SPI Device is working in 1 bit wide mode (i.e. 4 wire SPI)
spi_width_2bit	The SPI Device is working in 2 bit wide mode
spi_width_4bit	The SPI Device is working in 4 bit wide mode

2.15.2.6 enum spi_ss_assertions_t

SS Assertion control.

Enumerator	
spi_ss_assertions_force	SS will reflect the status of SPISS
spi_ss_assertions_auto	SS will go low during transmissions if selected

2.15.2.7 enum spi_interrupt_t

SPI Interrupts

NOTE: Call spi_is_interrupted() to clear interrupt flags.

Enumerator	
spi_interrupt_transmit_empty	Either the FIFO or the data register are empty.
spi_interrupt_data_ready	A transmission or reception was completed <i>or</i> the FIFO was filled to a trigger level.
spi_interrupt_transmit_1bit_complete	Transmission was complete when using the SPI1BIT method.
spi_interrupt_fault	The SPI device was asserted when in Master mode.

2.15.3 Function Documentation

2.15.3.1 *spi_init*

```
int8_t spi_init ( ft900_spi_regs_t * dev,  
                 spi_dir_t         dir,  
                 spi_clock_mode_t  clock_mode,  
                 uint16_t          div  
                )
```

Initialise the SPI device.

Parameters

dev the device to use
dir The direction for the device to work in (Master/Slave)
clock_mode The SPI Clock mode to use
div The clock divider to use (4,8,16,32,64,128,256,512)

Returns

0 on a success or -1 for a failure

Warning

This will reset the peripheral and all options

2.15.3.2 *spi_open*

```
int8_t spi_open ( ft900_spi_regs_t * dev,  
                 uint8_t          num  
                )
```

Select a device to start communicating with.

Parameters

dev the device to use
num The device to select

Returns

0 on a success or -1 for a failure

2.15.3.3 *spi_close*

```
int8_t spi_close ( ft900_spi_regs_t * dev,  
                  uint8_t          num  
                 )
```

Stop communicating with a certain device.

Parameters

dev the device to use

num The device to select

Returns

0 on a success or -1 for a failure

2.15.3.4 spi_read

```
int32_t spi_read ( ft900_spi_regs_t * dev,  
                  uint8_t          b  
                  )
```

Reads a byte from the SPI device.

Reads a byte by writing a dummy byte into the SPI bus.

Parameters

dev the device to use

b A variable to store the byte

Returns

The number of bytes read or -1 for a failure

2.15.3.5 spi_readn

```
int32_t spi_readn ( ft900_spi_regs_t * dev,  
                   uint8_t *         b,  
                   size_t           len  
                   )
```

Reads several bytes from the SPI device.

Reads len number of bytes by writing len number of bytes into SPI bus.

Parameters

dev the device to use

b A pointer to the array to read into

len The number of bytes to read

Returns

The number of bytes read or -1 for a failure

2.15.3.6 spi_write

```
int32_t spi_write ( ft900_spi_regs_t * dev,  
                   uint8_t          b  
                   )
```

Writes a byte to the SPI device.

Parameters

dev the device to use

- b** The byte to send

Returns

The number of bytes written or -1 for a failure

2.15.3.7 spi_writen

```
int32_t spi_writen ( ft900_spi_regs_t * dev,  
                   const uint8_t *   b,  
                   size_t           len  
                   )
```

Writes several bytes to the SPI device .

Parameters

- dev** the device to use
- b** A pointer to the array to sendspi_open
- len** The number of bytes to write

Returns

The number of bytes written or -1 for a failure

2.15.3.8 spi_xchange

```
int32_t spi_xchange ( ft900_spi_regs_t * dev,  
                    uint8_t           b,  
                    uint8_t           c  
                    )
```

Exchange a byte to the SPI device. Supports single channel mode only.

Parameters

- dev** the device to use
- b** A variable to send the byte
- c** A variable to store the byte

Returns

The number of bytes exchanged or -1 for failure.

2.15.3.9 spi_xchangen

```
int32_t spi_xchangen ( ft900_spi_regs_t * dev,  
                      uint8_t *         binp,  
                      uint8_t *         bout,  
                      size_t           len  
                      )
```

Exchange several bytes to the SPI device. Supports single channel mode only.

Parameters

- dev** the device to use
- binp** A pointer to the array to send
- bout** A pointer to the array to receive
- len** The number of bytes to exchange

Returns

2.15.3.10 *The number of bytes exchanged or -1 for a failurespi_status*

```
uint8_t spi_status ( ft900_spi_regs_t * dev )
```

Return the status register.

Bit	Name	When set to 1	When set to 0
0	AUTOSS	Auto SS Assertions Enabled	SSO always shows contents of SSCR
1	RXFULL	Receiver FIFO is full	Receiver FIFO not is full
2	EMPTY	TX FIFO or TX register empty	TX FIFO or TX register not empty
3	IDLE	SPI Device Idle	Transmission in progress
4	FAULT	Mode Fault (SS Low in Master mode)	-
5	1BITTX	End of TX from SPDR BIS Register	-
6	WCOL	Data Register Write Collision occurred	-
7	IRQ	An interrupt occurred	-

Parameters

- dev** The device to use

Returns

A copy of the SPISTAT register

2.15.3.11 *spi_option*

```
int8_t spi_option ( ft900_spi_regs_t * dev,
                   spi_option_t      opt,
                   uint8_t            val
                   )
```

Control the SPI device.

This function will set various options for the driver.

Option	Description	Values
spim_option_fifo	Enable or disable the FIFO	0 = Disabled (Default) 1 = Enabled [Note 1]
spim_option_fifo_size	Set the size of the FIFO	16 = 16 Byte FIFO (default)

		64 = Byte FIFO
spim_option_fifo_receive_trigger	Set the FIFO trigger level	For 16 Byte FIFOs: 1, 4, 8, 14 For 64 Byte FIFOs: 1, 16, 32, 56
spim_option_force_ss_assertions	Force SS to go low in assert	0 = Automatic Assertions 1 = Force Assertions (Default)
spim_option_bus_width	Set the SPI bus width	1 = Single (Default) 2 = Dual 4 = Quad
spim_option_dual_quad_direction	Set the multi-bit direction	0 = Read 1 = Write

Note 1: Enabling the FIFO will cause the driver to clear its contents.

Parameters

dev The device to use

opt The option to configure

val The value to use

Returns

0 on a success or -1 for a failure

2.15.3.12 *spi_disable_interrupt*

```
int8_t spi_disable_interrupt ( ft900_spi_regs_t * dev,
                             spi_interrupt_t   interrupt
                             )
```

Disables an interrupt for the SPI device.

Parameters

dev The device to use

interrupt The interrupt to disable

Returns

0 on a success or -1 for a failure

See also

spim_disable_interrupts_globally

2.15.3.13 *spi_disable_interrupts_globally*

```
int8_t spi_disable_interrupts_globally ( ft900_spi_regs_t * dev )
```

Disables the SPI device from generating an interrupt.

Parameters

dev the device to use

Returns

0 on a success or -1 for a failure

2.15.3.14 spi_enable_interrupt

```
int8_t spi_enable_interrupt ( ft900_spi_regs_t * dev,  
                             spi_interrupt_t  interrupt  
                             )
```

Enables an interrupt for the SPI device.

Parameters

dev the device to use

interrupt The interrupt to enable

Returns

0 on a success or -1 for a failure

See also

spim_enable_interrupts_globally

2.15.3.15 spi_enable_interrupts_globally

```
int8_t spi_enable_interrupts_globally ( ft900_spi_regs_t * dev )
```

Enables the SPI device to generate an interrupt.

Parameters

dev the device to use

Returns

0 on a success or -1 for a failure

2.15.3.16 spi_is_interrupted

```
int8_t spi_is_interrupted ( ft900_spi_regs_t * dev,  
                            spi_interrupt_t  interrupt  
                            )
```

Disables an interrupt for the QSPI device.

Parameters

dev The device to use

interrupt The interrupt to check

Returns

1 when interrupted, 0 when not interrupted, -1 otherwise

See also

spi_disable_interrupts_globally

2.15.3.17 *spi_uninit*

```
int8_t spi_uninit ( ft900_spi_regs_t* dev )
```

Disable the SPI device.

Parameters

dev the device to use

Returns

0 on a success or -1 for a failure

2.16 CANBus

The file **ft900_can.h** contains the definitions for the CANBus functions in the libft900.a library.

2.16.1 API Cross Reference

Additional definitions are taken from:

ft900_registers.h – FT900 register definitions

2.16.2 Enumeration Type Documentation

2.16.2.1 *can_mode_t*

```
enum can_mode_t
```

The mode of the CAN device.

Enumerator	
can_mode_normal	The CAN Device is operating normally
can_mode_listen	The CAN Device is in listen-only mode and will not allow data transmission or send ACKs on the bus

2.16.2.2 *can_type_t*

```
enum can_type_t
```

CAN message type.

Enumerator	
can_type_standard	CAN2.0A Standard Frame
can_type_extended	CAN2.0B Extended Frame

2.16.2.3 *can_filter_mode_t*

```
enum can_filter_mode_t
```

The mode of the filter.

Enumerator	
can_filter_mode_single	Single Filter mode
can_filter_mode_dual	Dual Filter mode

2.16.2.4 *can_arbitration_lost_t*

enum **can_arbitration_lost_t**

The location of where arbitration was lost.

Enumerator	
can_arbitration_lost_id28_11	Arbitration was lost on the 12th bit of the ID (29th bit extended)
can_arbitration_lost_id27_10	Arbitration was lost on the 11th bit of the ID (28th bit extended)
can_arbitration_lost_id26_9	Arbitration was lost on the 10th bit of the ID (27th bit extended)
can_arbitration_lost_id25_8	Arbitration was lost on the 9th bit of the ID (26th bit extended)
can_arbitration_lost_id24_7	Arbitration was lost on the 8th bit of the ID (25th bit extended)
can_arbitration_lost_id23_6	Arbitration was lost on the 7th bit of the ID (24th bit extended)
can_arbitration_lost_id22_5	Arbitration was lost on the 6th bit of the ID (23th bit extended)
can_arbitration_lost_id21_4	Arbitration was lost on the 5th bit of the ID (22th bit extended)
can_arbitration_lost_id20_3	Arbitration was lost on the 4th bit of the ID (21th bit extended)
can_arbitration_lost_id19_2	Arbitration was lost on the 3rd bit of the ID (20th bit extended)
can_arbitration_lost_id18_1	Arbitration was lost on the 2nd bit of the ID (19th bit extended)
can_arbitration_lost_id17_0	Arbitration was lost on the 1st bit of the ID (18th bit extended)
can_arbitration_lost_srtr_rtr	Arbitration was lost on the SRTR/RTR bit
can_arbitration_lost_id16	Arbitration was lost on the 17th bit of the extended ID
can_arbitration_lost_id15	Arbitration was lost on the 16th bit of the extended ID
can_arbitration_lost_id14	Arbitration was lost on the 15th bit of the extended ID
can_arbitration_lost_id13	Arbitration was lost on the 14th bit of the extended ID
can_arbitration_lost_id12	Arbitration was lost on the 13th bit of the extended ID
can_arbitration_lost_id11	Arbitration was lost on the 12th bit of the extended ID
can_arbitration_lost_id10	Arbitration was lost on the 11th bit of the extended ID
can_arbitration_lost_id9	Arbitration was lost on the 10th bit of the extended ID

can_arbitration_lost_id8	Arbitration was lost on the 9th bit of the extended ID
can_arbitration_lost_id7	Arbitration was lost on the 8th bit of the extended ID
can_arbitration_lost_id6	Arbitration was lost on the 7th bit of the extended ID
can_arbitration_lost_id5	Arbitration was lost on the 6th bit of the extended ID
can_arbitration_lost_id4	Arbitration was lost on the 5th bit of the extended ID
can_arbitration_lost_id3	Arbitration was lost on the 4th bit of the extended ID
can_arbitration_lost_id2	Arbitration was lost on the 3rd bit of the extended ID
can_arbitration_lost_id1	Arbitration was lost on the 2nd bit of the extended ID
can_arbitration_lost_id0	Arbitration was lost on the 1st bit of the extended ID
can_arbitration_lost_rtr	Arbitration was lost on the RTR bit
can_arbitration_lost_invalid	No valid arbitration could be found

2.16.2.5 can_interrupt_t

enum can_interrupt_t

CAN Peripheral Interrupts.

Enumerator	
can_interrupt_data_overrun	
can_interrupt_bus_error	
can_interrupt_transmit	
can_interrupt_receive	
can_interrupt_error_passive	
can_interrupt_error_warning	
can_interrupt_arbitration_lost	

2.16.2.6 can_rtr_t

enum can_rtr_t

Remote transfer request flag.

Enumerator	
can_rtr_none	No RTR
can_rtr_remote_request	RTR Set

2.16.3 Function Documentation

2.16.3.1 *can_init*

```
int8_t can_init ( ft900_can_regs_t *   dev,  
                 can_mode_t           mode,  
                 const can_time_config_t * timeconfig  
                )
```

Initialise the CAN device.

Parameters

- dev** A pointer to the device to use
- mode** The mode that this CAN device should be in (normal or listen)
- timeconfig** The configuration struct that defines the timing of the device

Returns

0 on a success, -1 otherwise

2.16.3.2 *can_open*

```
int8_t can_open ( ft900_can_regs_t * dev )
```

Open the CAN device for reading and writing.

Parameters

- dev** A pointer to the device to use

Returns

0 on a success, -1 otherwise

2.16.3.3 *can_close*

```
int8_t can_close ( ft900_can_regs_t * dev )
```

Close the CAN device for reading and writing.

Parameters

- dev** A pointer to the device to use

Returns

0 on a success, -1 otherwise

2.16.3.4 *can_filter*

```
int8_t can_filter ( ft900_can_regs_t * dev,  
                  can_filter_mode_t  filtmode,  
                  uint8_t             filternum,  
                  const can_filter_t * filter  
                  )
```

Set up a filter for the CAN device.

Set up the CAN device to filter for specific criteria.

The filter can work in two modes: single or dual. Depending on which mode the filter is in certain types of information can be used, as shown in the table below.

Mode	Message Type	ID	RTR	Data[0]	Data[1]
Single	Standard	Yes	Yes	Yes	Yes
Single	Extended	Yes	Yes	No	No
Dual	Standard	Yes	Yes	Filter 0 Only	No
Dual	Extended	Only bits 13 to 28	No	No	No

Any field which is not used in a certain configuration will be ignored.

Parameters

- dev** A pointer to the device to use
- filtnode** The mode that the filters should be in (single or dual)
- filternum** The number of filter to use. When in single mode, only 0 will work.
- filter** A pointer to the configuration to use

Returns

0 on a success, -1 otherwise

Warning

This command only works when the CAN device is closed

See also

`can_filter_t`

2.16.3.5 `can_read`

```
int8_t can_read ( ft900_can_regs_t * dev,
                 can_msg_t *      msg
                 )
```

Receive a message from the CAN Bus.

This function will take the first available message from the Receive FIFO.

Parameters

- dev** A pointer to the device to use
- msg** The struct to pack the message into

Returns

0 on a success, -1 otherwise

Warning

This command only works when the CAN device is open

This function will automatically clear the Receive interrupt flag and increment the Receive message counter.

2.16.3.6 can_write

```
int8_t can_write ( ft900_can_regs_t * dev,
                  const can_msg_t * msg
                  )
```

Send a message on the CAN Bus.

This function will accept a can_msg_t and pack it into a format to be fed into the CAN Transmit FIFO.

Parameters

dev A pointer to the device to use

msg The message to send

Returns

0 on a success, -1 otherwise

Warning

This command only works when the CAN device is open

2.16.3.7 can_abort

```
int8_t can_abort ( ft900_can_regs_t * dev )
```

Abort the transmission of messages on the CAN Bus.

This function will cause the CAN device to abort transmission on the CAN Bus. After the transmission of the current message on the Bus, no further transmissions will occur (including retransmissions for erroneous messages).

Parameters

dev A pointer to the device to use

Returns

0 on a success, -1 otherwise

2.16.3.8 can_status

```
uint8_t can_status ( ft900_can_regs_t * dev )
```

Query the status register.

The return value is a bit-mask with the following format:

Bit	Name	Description	Set when...
7 (MSB)	RX_BUF_STS	Receive Buffer Status	At least one message in the receive FIFO
6	OVRN_STS	Data Overrun Status	The receive FIFO has encountered an overrun
5	TX_BUF_STS	Transmit Buffer Status	The CPU is able to write to the transmit FIFO
4	-		
3	RX_STS	Receive Status	CAN is currently receiving a message

2	TX_STS	Transmit Status	CAN is currently transmitting a message
1	ERR_STS	Error Status	One CAN error counter has reached warning (96)
0 (LSB)	BUS_OFF_STS	Bus Off Status	The CAN device is in a bus off state

Parameters

dev A pointer to the device to use

Returns

A bit-mask of the current status or 0 for an unknown device.

2.16.3.9 can_available

uint8_t can_available (ft900_can_regs_t * dev)

Return how many messages are available in the receive FIFO.

Parameters

dev A pointer to the device to use

Returns

The number of messages available in the receive FIFO

2.16.3.10 can_rx_error_count

uint8_t can_rx_error_count (ft900_can_regs_t * dev)

Get the current number of receive errors reported by the CAN device.

Parameters

dev A pointer to the device to use

Returns

The current number of receive errors (0 - 255) or 0 for an unknown device.

2.16.3.11 can_tx_error_count

uint8_t can_tx_error_count (ft900_can_regs_t * dev)

Get the current number of transmit errors reported by the CAN device.

When the transmit error counter exceeds limit of 255, the Bus Status bit in the Status register is set to logic 1 (bus off), the CAN controller set reset mode, and if enabled an error warning interrupt is generated. The transmit error counter is then set to 127 and receive error counter is cleared.

Parameters

dev A pointer to the device to use

Returns

The current number of receive errors (0 - 255) or 0 for an unknown device.

2.16.3.12 can_ecode

uint8_t can_ecode (ft900_can_regs_t * dev)

Get the current value of the ECC (Error Code Capture) register.

This function will return the value of the ECC (Error Code Capture) register. This register holds the error code for the *LAST* bus error that occurred on the CAN network.

The return value is a bit-mask with the following format:

Bit	Name	Description	Set when...
7 (MSB)	RX_WRN	Receive Warning	The number of receive errors is ≥ 96
6	TX_WRN	Transmit Warning	The number of transmit errors is ≥ 96
5	ERR_DIR	Direction	The error occurred on reception.
4	ACK_ERR	Acknowledgement Error	An ACK Error occurred
3	FRM_ERR	Form Error	A Form Error occurred
2	CRC_ERR	CRC Error	A CRC Error occurred
1	STF_ERR	Stuff Error	A Bit Stuffing Error occurred
0 (LSB)	BIT_ERR	Bit Error	A Bit Error occurred

Parameters

dev A pointer to the device to use

Returns

The value of the ECC (Error Code Capture) register or 0 for an unknown device.

2.16.3.13 can_arbitration_lost_location

```
can_arbitration_lost_t can_arbitration_lost_location ( ft900_can_regs_t * dev )
```

Get the location where arbitration was lost.

Parameters

dev A pointer to the device to use

Returns

The location where arbitration was lost

2.16.3.14 can_enable_interrupt

```
int8_t can_enable_interrupt ( ft900_can_regs_t * dev,
                             can_interrupt_t interrupt
                             )
```

Enable an Interrupt.

Enable the CAN device to generate an interrupt. The value of mask is a bit-mask with the following format:

Bit	Name	Description	Trigger
7 (MSB)		Unused	

6	ARB_LOST	Arbitration Lost Interrupt	Arbitration is lost
5	ERR_WARN	Error Warning Interrupt	Changes in ES or BS of the Status register
4	ERR_PSV	Error Passive Interrupt	Bus enters or exits a passive state
3	RX	Receive Interrupt	A message is received on CAN
2	TX	Transmit Interrupt	A message is successfully received on CAN
1	BUS_ERR	Bus Error Interrupt	A bus error occurred when transmitting\receiving
0 (LSB)	DATA_OVRN	Data Overrun Interrupt	A receive FIFO overrun occurred

Parameters

dev A pointer to the device to use

interrupt The interrupt to enable

Returns

0 on a success, -1 otherwise

Warning

This command only works when the CAN device is closed

2.16.3.15 *can_disable_interrupt*

```
int8_t can_disable_interrupt ( ft900_can_regs_t * dev,
                             can_interrupt_t   interrupt
                             )
```

Disable an Interrupt.

Disable the CAN device from generate an interrupt.

Parameters

dev A pointer to the device to use

interrupt The interrupt to disable

Returns

0 on a success, -1 otherwise

Warning

This command only works when the CAN device is closed

2.16.3.16 *can_is_interrupted*

```
int8_t can_is_interrupted ( ft900_can_regs_t * dev,  
                           can_interrupt_t  interrupt  
                           )
```

Query the Interrupt register.

Query the Interrupt register in order to determine what caused the interrupt.

Parameters

dev A pointer to the device to use

interrupt The interrupt to check

Warning

This function clears the interrupt bit so that it does not fire constantly

Returns

0 when the interrupt hasn't been fired, 1 when the interrupt has fired and -1 otherwise

2.16.4 Variable Documentation

```
const can_time_config_t g_can125kbaud
```

Configuration for 125 kBaud at fcpu = 100 MHz

```
const can_time_config_t g_can1Mbaud
```

Configuration for 1 MBaud at fcpu = 100 MHz

```
const can_time_config_t g_can250kbaud
```

Configuration for 250 kBaud at fcpu = 100 MHz

```
const can_time_config_t g_can500kbaud
```

Configuration for 500 kBaud at fcpu = 100 MHz

2.17 Camera interface

The file **ft900_cam.h** contains the definitions for the camera bus functions in the libft900.a library.

2.17.1 API Cross Reference

It utilises the following library APIs:

ft900_asm.h – FT900 assembler definitions

Additional definitions are taken from:

ft900_registers.h – FT900 register definitions

2.17.2 Enumeration Type Documentation

2.17.2.1 *cam_clock_pol_t*

```
enum cam_clock_pol_t
```

Camera clock polarity.

Enumerator	
cam_clock_pol_falling	Sample data on a falling PCLK edge
cam_clock_pol_raising	Sample data on a raising PCLK edge

2.17.2.2 *cam_trigger_mode_t*

```
enum cam_trigger_mode_t
```

Camera vertical/horizontal trigger mode Control at what logic levels the camera will accept data.

Enumerator	
cam_trigger_mode_0	VD = L, HD = L
cam_trigger_mode_1	VD = L, HD = H
cam_trigger_mode_2	VD = H, HD = L
cam_trigger_mode_3	VD = H, HD = H

2.17.3 Function Documentation

2.17.3.1 *cam_init*

```
int8_t cam_init ( cam_trigger_mode_t triggers,
                 cam_clock_pol_t   clkpol
                 )
```

Initialise the Camera interface.

Parameters

triggers The VD/HD levels to trigger on

clkpol The clock polarity of the input

Returns

0 on success, -1 otherwise

2.17.3.2 cam_available

uint16_t cam_available (void)

Check how many bytes are available on the FIFO.

Returns

The number of bytes available

2.17.3.3 cam_start

int8_t cam_start (uint16_t bytes)

Start capturing data.

Parameters

bytes The number of bytes to capture

Returns

0 on success, -1 otherwise

2.17.3.4 cam_stop

int8_t cam_stop (void)

Stop capturing data.

Returns

0 on success, -1 otherwise

2.17.3.5 cam_set_threshold

int8_t cam_set_threshold (uint16_t n)

Set the threshold for when the camera interrupt fires.

Parameters

n The number of bytes to fill the FIFO with before the interrupt fires (this must be a multiple of 4)

Returns

0 on success, -1 otherwise

2.17.3.6 cam_readn

```
uint16_t cam_readn ( uint8_t * b,  
                    size_t len  
                    )
```

Read a number of bytes from the FIFO.

Parameters

b A pointer to read the data into

len The number of bytes to read from the FIFO (this must be a multiple of 4)

Returns

The number of bytes read, 0 otherwise

2.17.3.7 *cam_flush*

```
void cam_flush ( void )
```

Empty out the camera buffer.

2.17.3.8 *cam_total_read*

```
uint16_t cam_total_read ( void )
```

Check how many bytes have been read by the Camera Interface.

Returns

2.17.3.9 *The number of bytes read cam_enable_interrupt*

```
int8_t cam_enable_interrupt ( void )
```

Enable the threshold interrupt.

Returns

0 on success, -1 otherwise

2.17.3.10 *cam_disable_interrupt*

```
int8_t cam_disable_interrupt ( void )
```

Disable the threshold interrupt.

Returns

0 on success, -1 otherwise

2.17.3.11 *cam_is_interrupted*

```
int8_t cam_is_interrupted ( void )
```

Check that an interrupt has occurred.

Returns

0 when the interrupt hasn't been fired, 1 when the interrupt has fired and -1 otherwise

2.18 Pulse Width Modulation

The file **ft900_pwm.h** contains the definitions for the Pulse Width Modulation functions in the libft900.a library.

2.18.1 API Cross Reference

Additional definitions are taken from:

ft900_registers.h – FT900 register definitions

2.18.2 Enumeration Type Documentation

2.18.2.1 *pwm_restore_t*

```
enum pwm_restore_t
```

PWM restore state.

Enumerator	
pwm_restore_disable	Do not restore the setup state on wrap around
pwm_restore_enable	Do not restore the setup state on wrap around

2.18.2.2 *pwm_state_t*

```
enum pwm_state_t
```

Enumerator	
pwm_state_low	Setup as low
pwm_state_high	Setup as high

2.18.2.3 *pwm_trigger_t*

```
enum pwm_trigger_t
```

PWM Triggering.

Enumerator	
pwm_trigger_disabled	Do not trigger
pwm_trigger_positive_edge	Trigger on a positive edge
pwm_trigger_negative_edge	Trigger on a negative edge
pwm_trigger_any_edge	Trigger on any edge

2.18.3 Function Documentation

2.18.3.1 *pwm_init*

```
int8_t pwm_init ( uint8_t prescaler,
```

```
uint16_t maxcount,  
uint8_t shots  
)
```

Initialise the PWM subsystem.

Parameters

prescaler The prescaler for the PWM subsystem

maxcount The maximum count of the 16 bit master counter

shots The number of loops the PWM subsystem will make, 0 is infinity

Returns

On success a 0, otherwise -1

2.18.3.2 *pwm_enable*

```
int8_t pwm_enable ( void )
```

Enable the PWM subsystem.

Returns

On success a 0, otherwise -1

2.18.3.3 *pwm_disable*

```
int8_t pwm_disable ( void )
```

Disable the PWM subsystem.

Returns

On success a 0, otherwise -1

2.18.3.4 *pwm_add_toggle*

```
int8_t pwm_add_toggle ( uint8_t channel,  
uint8_t toggle  
)
```

Add a toggle to a specific PWM channel.

Parameters

channel The channel to add the toggle to

toggle The channel to toggle on

Returns

On success a 0, otherwise -1

2.18.3.5 *pwm_remove_toggle*

```
int8_t pwm_remove_toggle ( uint8_t channel,  
uint8_t toggle  
)
```

Remove a toggle to a specific PWM channel.

Parameters

channel The channel to remove the toggle from

toggle The channel to remove the toggle of

Returns

On success a 0, otherwise -1

2.18.3.6 pwm_compare

```
int8_t pwm_compare ( uint8_t channel,  
                    uint16_t value  
                    )
```

Set a compare value for a PWM counter.

Parameters

channel The channel to use

value The value to toggle on

Returns

On success a 0, otherwise -1

2.18.3.7 pwm_levels

```
int8_t pwm_levels ( uint8_t channel,  
                   pwm_state_t initstate,  
                   pwm_restore_t restorestate  
                   )
```

Set up the logic levels for a PWM counter.

Parameters

channel The channel to use

initstate The initial state of the counter (high or low)

restorestate The rollover restore setting

Returns

On success a 0, otherwise -1

2.18.3.8 pwm_trigger

int8_t pwm_trigger (pwm_trigger_t trigger)

Set the external trigger settings.

Parameters

trigger The trigger setting

Returns

On success a 0, otherwise -1

2.19 PWM Audio

The file **ft900_pwm_pcm.h** contains the definitions for the PWM audio functions in the libft900.a library.

2.19.1 API Cross Reference

It utilises the following library APIs:

ft900_pwm.h – Pulse Width Modulation

ft900_asm.h – FT900 assembler definitions

Additional definitions are taken from:

ft900_registers.h – FT900 register definitions

2.19.2 Enumeration Type Documentation

2.19.2.1 *pwm_pcm_channels_t*

```
enum pwm_pcm_channels_t
```

PWM Channel selection.

Enumerator	
pwm_pcm_channels_mono	Mono
pwm_pcm_channels_stereo	Stereo

2.19.2.2 *pwm_pcm_data_size_t*

```
enum pwm_pcm_data_size_t
```

PWM data size selection.

Enumerator	
pwm_pcm_data_size_8	8 bit
pwm_pcm_data_size_16	16 bit

2.19.2.3 *pwm_pcm_endianness_t*

```
enum pwm_pcm_endianness_t
```

PWM endianness selection.

Enumerator	
pwm_pcm_endianness_big	Big endian data
pwm_pcm_endianness_little	Little endian data

2.19.2.4 *pwm_pcm_filter_t*

```
enum pwm_pcm_filter_t
```

PWM PCM Filter.

Enumerator	
pwm_pcm_filter_off	Off
pwm_pcm_filter_on	On

2.19.2.5 *pwm_pcm_interrupt_t*

enum pwm_pcm_interrupt_t

PWM PCM Interrupt selection.

Enumerator	
pwm_pcm_interrupt_empty	FIFO Empty
pwm_pcm_interrupt_full	FIFO Full
pwm_pcm_interrupt_half_full	FIFO Half Full
pwm_pcm_interrupt_overflow	FIFO Overflow
pwm_pcm_interrupt_underflow	FIFO Underflow

2.19.2.6 *pwm_pcm_volume_t*

enum pwm_pcm_volume_t

PWM PCM Volume.

Enumerator	
pwm_pcm_volume_mute	
pwm_pcm_volume_6	6.25% volume
pwm_pcm_volume_12	12.5% volume
pwm_pcm_volume_19	19% volume
pwm_pcm_volume_25	25% volume
pwm_pcm_volume_31	31% volume
pwm_pcm_volume_37	37% volume
pwm_pcm_volume_44	44% volume
pwm_pcm_volume_50	50% volume
pwm_pcm_volume_56	56% volume
pwm_pcm_volume_63	63% volume
pwm_pcm_volume_69	69% volume

pwm_pcm_volume_75	75% volume
pwm_pcm_volume_81	81% volume
pwm_pcm_volume_88	88% volume
pwm_pcm_volume_94	94% volume
pwm_pcm_volume_100	100% volume

2.19.3 Function Documentation

2.19.3.1 *pwm_pcm_open*

```
int8_t pwm_pcm_open ( pwm_pcm_channels_t channels,
                    uint16_t samplerate,
                    pwm_pcm_data_size_t datasize,
                    pwm_pcm_endianness_t endianness,
                    pwm_pcm_filter_t filter
                    )
```

Initialise the PWM PCM output.

Parameters

- channels** The number of channels to output.
- samplerate** The sample rate of the audio data.
- datasize** The word size of the samples (8 or 16 bit).
- endianness** The endianness of the 16 bit word. In 8 bit mode this will be ignored.
- filter** If a PCM filter will be used to filter out the PWM carrier.

Returns

On success a 0, otherwise -1

2.19.3.2 *pwm_pcm_close*

```
int8_t pwm_pcm_close ( void )
```

Close the PWM PCM Output.

Returns

On success a 0, otherwise -1

2.19.3.3 *pwm_pcm_volume*

```
int8_t pwm_pcm_volume ( pwm_pcm_volume_t vol )
```

Set the volume of the PWM PCM device.

Parameters

- vol** The volume to set to.

Returns

On success a 0, otherwise -1

2.19.3.4 *pwm_pcm_write*

```
int8_t pwm_pcm_write ( uint16_t data )
```

Write a word of data to the PWM PCM device.

Parameters

data The data to write. If 8 bit mode is selected, the top 8 bits will be ignored

Returns

The number of bytes written to the FIFO, otherwise -1

2.19.3.5 *pwm_pcm_writen*

```
int8_t pwm_pcm_writen ( uint16_t * data,  
                        size_t len  
                        )
```

Write a number of words of data to the PWM PCM device.

Parameters

data The data to write. If 8 bit mode is selected, the top 8 bits will be ignored

len The size of data to write.

Returns**2.19.3.6 *The number of bytes written to the FIFO, otherwise -1*
*pwm_pcm_disable_interrupt***

```
int8_t pwm_pcm_disable_interrupt ( pwm_pcm_interrupt_t interrupt )
```

Disable an interrupt.

Parameters

interrupt The interrupt to disable

Returns

On success a 0, otherwise -1

2.19.3.7 *pwm_pcm_enable_interrupt*

```
int8_t pwm_pcm_enable_interrupt ( pwm_pcm_interrupt_t interrupt )
```

Enable an interrupt.

Parameters

interrupt The interrupt to enable

Returns

On success a 0, otherwise -1

2.19.3.8 *pwm_pcm_is_interrupted*

```
int8_t pwm_pcm_is_interrupted ( pwm_pcm_interrupt_t interrupt )
```

Query if an interrupt has fired.

Parameters

interrupt The interrupt to query

Warning

This function will clear the interrupt being queried and the global PWM interrupt flag

Returns

1 for if PWM is interrupted, 0 if PWM is not interrupted, -1 otherwise

2.20 Real Time Clock

The file **ft900_rtc.h** contains the definitions for the real time clock functions in the libft900.a library.

2.20.1 API Cross Reference

Additional definitions are taken from:

ft900_registers.h – FT900 register definitions

2.20.2 Enumeration Type Documentation

2.20.2.1 *rtc_mask_t*

```
enum rtc_mask_t
```

RTC Interrupt mask.

Enumerator	
rtc_mask_interrupt	Interrupt line is masked on interrupt
rtc_mask_no_interrupt	Interrupt line is not masked on interrupt

2.20.2.2 *rtc_wrap_t*

```
enum rtc_wrap_t
```

RTC Wrap around.

Enumerator	
rtc_wrap_disabled	RTC Wrap around
rtc_wrap_enabled	No RTC Wrap around

2.20.3 Function Documentation

2.20.3.1 *rtc_init*

```
int8_t rtc_init ( rtc_wrap_t wrap )
```

Initialise the Real Time Clock.

Parameters

wrap An option to control if the counter should wrap around

Returns

0 on success, -1 otherwise

2.20.3.2 *rtc_start*

```
int8_t rtc_start ( void )
```

Allow the Real Time Clock to start counting.

Returns

0 on success, -1 otherwise

2.20.3.3 *rtc_stop*

```
int8_t rtc_stop ( void )
```

Stops the Real Time Clock from counting.

Returns

0 on success, -1 otherwise

2.20.3.4 *rtc_read*

```
int8_t rtc_read ( uint32_t * val )
```

Read the current value of the Real Time Clock.

Parameters

val A pointer to store the current Real Time Clock Value into

Returns

0 on success, -1 otherwise

2.20.3.5 *rtc_write*

```
int8_t rtc_write ( uint32_t val )
```

Set the Real Time Clock to a value.

Parameters

val The value to set the Real Time Clock to

Returns

2.20.3.6 *0 on success, -1 otherwise rtc_match*

```
int8_t rtc_match ( uint32_t match,  
                  rtc_mask_t mask  
                  )
```

Set up the matching system in the Real Time Clock.

Parameters

match The value to match the Real Time Clock to

mask Defines whether the Real Time Clock module should mask the match interrupt line

Returns

0 on success, -1 otherwise

2.20.3.7 *rtc_clear_matched*

```
int8_t rtc_clear_matched ( )
```

Clear the matched interrupt in the Real Time Clock.

Returns

0 on success, -1 otherwise

2.20.3.8 *rtc_is_matched*

```
int8_t rtc_is_matched ( void )
```

Check if the Real Time Clock has matched a value.

Warning

This function will clear the current interrupt. The value returned by this function is after masking.

Returns

1 if the Real Time Clock has matched, 0 otherwise

2.20.3.9 *rtc_is_matched_raw*

```
int8_t rtc_is_matched_raw ( void )
```

Check if the Real Time Clock has matched a value.

Returns

1 if the Real Time Clock has matched, 0 otherwise

2.21 USB Device Stack API

The file **ft900_usbd.h** contains the definitions for the USB device functions in the libft900.a library.

This contains USB Device API function definitions, constants and structures which are exposed in the API.

Note that as this is a USB device all transaction nomenclature is from the point of view from the host. If the device sends data to the host then it is called an IN transaction, if it receives data from the host then it is an OUT transaction.

2.21.1 API Cross Reference

Utilises the following library APIs:

ft900_gpio.h – General Purpose I/O and Pad Control

ft900_sys.h – Chip Management

ft900_delay.h – Delay

ft900_interrupt.h – Interrupt Management

Additional definitions are taken from:

ft900_usb.h – General USB definitions

ft900_registers.h – FT900 register definitions

2.21.2 Macro Definition Documentation

2.21.2.1 USB Device Error Codes

```
#define USBD_ERR_DISCONNECTED -10
```

Device not configured by host.

Device physically disconnected from host.

```
#define USBD_ERR_INCOMPLETE -5
```

Incomplete/interrupted transfer.

```
#define USBD_ERR_RESOURCES -4
```

Not enough endpoint resources.

```
#define USBD_ERR_NOT_SUPPORTED -3
```

Operation not supported.

```
#define USBD_ERR_NOT_CONFIGURED -2
```

Endpoint not configured.

```
#define USBD_ERR_INVALID_PARAMETER -1
```

Invalid parameter supplied to API function.

2.21.3 Typedef Documentation

2.21.3.1 USBD_reset_callback

```
typedef void(* USBD_reset_callback) (uint8_t status)
```

Callback declaration for a host reset.

Parameters

[in] **status** Unused.

2.21.3.2 USBD_suspend_callback

```
typedef void(* USBD_suspend_callback) (uint8_t status)
```

Callback declaration for a suspend/resume.

Parameters

[in] **status** Unused.

2.21.3.3 USBD_request_callback

```
typedef int8_t(* USBD_request_callback) (USB_device_request *req)
```

Callback declaration for Vendor, Class and optionally Standard USB requests.

Parameters

[in] **req** USB request.

Returns

USB_OK if the request was handled successfully; any other return value (such as FT9XX_FAILED) causes the USB driver to stall the control endpoints.

2.21.3.4 USBD_descriptor_callback

```
typedef int8_t(* USBD_descriptor_callback) (USB_device_request *req, uint8_t **buffer, uint16_t *len)
```

Callback declaration for standard get descriptor requests to obtain descriptor data.

Parameters

[in] **req** USB request.

[in] **buffer** Data buffer containing descriptor.

Returns

USB_OK if the request was handled successfully; any other return value (such as FT9XX_FAILED) causes the USB driver to stall the control endpoints.

2.21.3.5 USBD_ep_callback

```
typedef void(* USBD_ep_callback) (USB_ENDPOINT_NUMBER ep_number)
```

Callback declaration for transaction completion on endpoint. The endpoint number is passed to the callback to allow the same function to handle multiple endpoints.

2.21.4 Enumeration Type Documentation

2.21.4.1 USBD_STATE

enum USBD_STATE

USB States. USB Spec section 9.1.

Enumerator	
USB_STATE_NONE	Device is not attached.
USB_STATE_ATTACHED	Device is attached to USB.
USB_STATE_POWERED	Device is attached and powered.
USB_STATE_DEFAULT	Device is attached, has power and has been reset.
USB_STATE_ADDRESS	Unique device address has not been set.
USB_STATE_CONFIGURED	Unique device address is now assigned. Device can be used by host.
USB_STATE_SUSPENDED	Device has been suspended.

2.21.4.2 USBD_DEVICE_SPEED

enum USBD_DEVICE_SPEED

USB Endpoint Speed setting.

Enumerator	
USB_SPEED_FULL	Full speed.
USB_SPEED_HIGH	High speed.

2.21.4.3 USBD_ENDPOINT_NUMBER

enum USBD_ENDPOINT_NUMBER

USB Endpoint Numbers.

Enumerator	
USB_EP_0	Endpoint 0 (Control Endpoint)
USB_EP_1	Endpoint 1.
USB_EP_2	Endpoint 2.
USB_EP_3	Endpoint 3.
USB_EP_4	Endpoint 4.
USB_EP_5	Endpoint 5.

USBD_EP_6	Endpoint 6.
USBD_EP_7	Endpoint 7.

2.21.4.4 USBD_ENDPOINT_DIR

enum USBD_ENDPOINT_DIR

USB Endpoint Direction.

Enumerator	
USBD_DIR_OUT	Direction host to device.
USBD_DIR_IN	Direction device to host.

2.21.4.5 USBD_ENDPOINT_SIZE

enum USBD_ENDPOINT_SIZE

USB Endpoint Sizes.

Enumerator	
USBD_EP_SIZE_8	8 Bytes
USBD_EP_SIZE_16	16 Bytes
USBD_EP_SIZE_32	32 Bytes
USBD_EP_SIZE_64	64 Bytes
USBD_EP_SIZE_128	128 Bytes. Only available on High Speed endpoints.
USBD_EP_SIZE_256	256 Bytes. Only available on High Speed endpoints.
USBD_EP_SIZE_512	512 Bytes. Only available on High Speed endpoints.
USBD_EP_SIZE_1024	1024 Bytes. Only available on ISO endpoints.

2.21.4.6 USBD_ENDPOINT_TYPE

enum USBD_ENDPOINT_TYPE

USB Endpoint Types.

Enumerator	
USBD_EP_TYPE_DISABLED	Disabled.
USBD_EP_BULK	Bulk Endpoint.
USBD_EP_INT	Interrupt Endpoint.
USBD_EP_ISOC	Isochronous Endpoint.

USBD_EP_CTRL	Control Endpoint.
--------------	-------------------

2.21.4.7 USBD_ENDPOINT_DB

enum USBD_ENDPOINT_DB

USB Endpoint Double Buffering Enable.

Enumerator	
USBD_DB_OFF	Disabled.
USBD_DB_ON	Enabled.

2.21.5 Structure Documentation

2.21.5.1 USBD_ctx

Struct containing callback functions for the USB upper layer driver and callback functions for USB suspend/resume and USB reset. Sets USBD configuration information.

Data Fields

USBD_descriptor_callback	get_descriptor_cb
USBD_request_callback	standard_req_cb
USBD_request_callback	class_req_cb
USBD_request_callback	vendor_req_cb
USBD_suspend_callback	suspend_cb
USBD_suspend_callback	resume_cb
USBD_suspend_callback	lpm_cb
USBD_reset_callback	reset_cb
USBD_suspend_callback	sof_cb
USBD_ENDPOINT_SIZE	ep0_size
USBD_ep_callback	ep0_cb
USBD_DEVICE_SPEED	speed
uint8_t	lowPwrSuspend

Field Documentation

class_req_cb

[Optional] class request callback function.

ep0_cb

Callback function for a data transfer to or from the control endpoint.

ep0_size

Endpoint size for control endpoints. Section 3.3.1 FT900 USB Program Manual. Sets DC_EP0_CONTROL register in Table 3.6.
 0: 8 bytes. 1: 16 bytes. 2: 32 bytes. 3: 64 bytes.

get_descriptor_cb

[Optional] Descriptor callback function.

Handler function to obtain descriptors (device, configuration, string, HID, Hub etc.) for use with the built-in USB standard request handler. This must be present if the standard request handler callback is not used.

lowPwrSuspend

Device power control. Engage power saving mode if bus-powered and suspend state entered.
0: Disable. 1: Enabled.

lpm_cb

[Optional] USB bus LPM (Link Power Management) callback function.

reset_cb

[Optional] USB bus reset callback function.

resume_cb

[Optional] USB bus suspend callback function.

sof_cb

[Optional] USB SOF callback function.

speed

Device configuration section. High speed/full speed select. Section 3.2.2 FT900 USB Program Manual.

0: Full speed only. 1: High speed if available.

standard_req_cb

[Optional] Standard request callback function.

Handler for USB standard requests. This is used for overriding the built-in standard request handler to customise the responses to standard requests. If it is not set then the built-in handler will be used and the descriptor_cb function used to obtain descriptors.

suspend_cb

[Optional] USB bus suspend callback function.

vendor_req_cb

[Optional] vendor request callback function.

2.21.6 Function Documentation

2.21.6.1 USBD_initialise

```
void USBD_initialise ( USBD_ctx * ctx )
```

Initialise USB hardware.

Performs a software reset and initialises the USB hardware.

The **USB_D_CTX** contains function pointers to the protocol layer handling USB requests. Appropriate USB requests will be routed to the correct handler, whether that is Standard, Class or Vendor requests. A device may not need a handler for Vendor or Class requests depending on the device configuration.

Optional function pointers are also available for USB suspend and resume call-backs and bus

resets issued by the host.
This function **MUST** be called prior to any further call to the USB functions.

Parameters

[in] **ctx** USB context.

2.21.6.2 USBD_finalise

void USBD_finalise (void)

Finalise USB hardware.

Releases any resources associated with the USB driver and disables the hardware.

2.21.6.3 USBD_attach

void USBD_attach (void)

Attach USB hardware.

Attaches the USB device to the USB host after a USBD_detach call.

2.21.6.4 USBD_detach

void USBD_detach (void)

Detach USB hardware.

Detaches the USB device from the USB host. This will look like a device disconnect to the host and it will act like the device is removed.

2.21.6.5 USBD_is_connected

int8_t USBD_is_connected ()

Check if the device is connected to a host (or external power source).

Checks the VBUS detect line for a host connected.

2.21.6.6 USBD_set_state

void USBD_set_state (USBD_STATE state)

Set USB state.

Sets the current state of the current USB device. Please refer to section 9.1 of the USB 2.0 spec for more information.

Parameters

[in] **state** The new state of the current USB device.

2.21.6.7 USBD_create_endpoint

int8_t USBD_create_endpoint (USBD_ENDPOINT_NUMBER ep_number,
USB_ENDPOINT_TYPE ep_type,
USB_ENDPOINT_DIR ep_dir,
USB_ENDPOINT_SIZE ep_size,
USB_ENDPOINT_DB ep_db,


```
        USBD_ep_callback      ep_cb  
    )
```

Create a USB endpoint.

Creates an endpoint with the requested properties.

There are a total of 2 kB of RAM for IN endpoints and another 2 kB for OUT endpoints (excluding the RAM allocated to endpoint 0). Therefore the total max packet for all IN endpoints and OUT endpoints must be less than this figure. If double buffering is employed for an endpoint then it will use twice the amount of RAM.

Parameters

- [in] **ep_number** USB endpoint number. (N/A for control endpoints).
- [in] **ep_type** USB endpoint type: BULK, ISO or INT. (N/A for control endpoints).
- [in] **ep_dir** Endpoint direction, In or Out.
- [in] **ep_size** USB endpoint max packet size in bytes.
- [in] **ep_db** USB endpoint double buffering enable. (N/A for control endpoints).
- [in] **ep_cb** Callback functions for this endpoint. This function will be called from the USBD_process function when an event concerned with the endpoint has occurred. This can be used for receiving notification of a transaction to or from the endpoint heralding the availability of data (OUT endpoints) or the completion of a transmission of data (IN endpoints). However, the **USB_ep_buffer_full()** function can be polled to determine the same status if callbacks are inappropriate.

Returns

USB_OK if successful.
USB_ERR_NOT_SUPPORTED if an endpoint higher than the maximum number of endpoints is requested.
USB_ERR_INVALID_PARAMETER if an illegal endpoint size is requested.
USB_ERR_RESOURCES if there is not enough endpoint RAM for the endpoint size requested.

2.21.6.8 USB_free_endpoint

```
int8_t USB_free_endpoint ( USB_ENDPOINT_NUMBER ep_number )
```

Free USB endpoint.

Disable and free the specified endpoint.

Parameters

- [in] **ep** USB endpoint handle.

Returns

USB_OK if successful
USB_ERR_NOT_CONFIGURED if endpoint is not configured.
USB_ERR_INVALID_PARAMETER if endpoint number not allowed.

2.21.6.9 USB_connect

```
int8_t USB_connect ( void )
```

Connect to a USB host.

Checks the VBUS detect line for a host connected and proceed to allow the device to negotiate a connection to the host.

Returns

USBD_OK on success.
USBD_ERR_INVALID_PARAMETER if req is invalid.

2.21.6.10 USBD_timer

```
void USBD_timer ( void )
```

USB timer.

To be called every millisecond from an interrupt handler to provide timeout support for USB device transactions. This will check all pending transfers, decrement timeout values and expire any timed out transactions.

2.21.6.11 USBD_process

```
int8_t USBD_process ( void )
```

USB process.

To be continuously called by the user application or USB device thread. Checks for control endpoint transfer activity and invoke relevant callback. Manages suspend and resume states and power management.

Returns

Non-zero if USB transaction has been processed.

2.21.6.12 USBD_transfer

```
int32_t USBD_transfer ( USBD_ENDPOINT_NUMBER ep_number,  
                        uint8_t *          buffer,  
                        size_t_t          length  
                        )
```

Transfer data to/from a non-control USB endpoint.

USB IN or OUT request is implied from the settings of the endpoint passed as a parameter.

Parameters

- [in] **ep_number** USB endpoint number.
- [in] **buffer** Appropriately sized buffer for the transfer.
- [in] **length** For IN transfers, the number of bytes to be sent. For OUT transfers, the maximum number of bytes to read.

Returns

The number of bytes actually transferred.
USBD_ERR_NOT_CONFIGURED if endpoint is not configured.
USBD_ERR_INVALID_PARAMETER if endpoint number not allowed.

2.21.6.13 USBD_transfer_ex

```
int32_t USBD_transfer_ex ( USBD_ENDPOINT_NUMBER ep_number,  
                           uint8_t *          buffer,  
                           size_t_t          length,
```

```

        int8_t          part,
        size_t         offset
    )
  
```

Transfer data to/from a non-control USB endpoint with options.

USB IN or OUT request is implied from the settings of the endpoint passed as a parameter. The end-of-packet will not be sent when the data from the buffer parameter is sent.

This will allow a follow-on `USBD_transfer_ex` call to either send more data (with the `part` parameter non-zero and a correct offset set) or an end-of-packet with `part` not set.

This allows a USB data packet to a non-control endpoint to be formed from multiple calls with data from potentially different places.

Parameters

- [in] **ep_number** USB endpoint number.
- [in] **buffer** Appropriately sized buffer for the transfer.
- [in] **length** For IN transfers, the number of bytes to be sent. For OUT transfers, the maximum number of bytes to read.
- [in] **part** Signifies that this is a partial transfer.
- [in] **offset** Offset (within the current packet) from where to continue for subsequent calls when using partial packets.

Returns

The number of bytes actually transferred.
`USBD_ERR_NOT_CONFIGURED` if endpoint is not configured.
`USBD_ERR_INVALID_PARAMETER` if endpoint number not allowed.

2.21.6.14 USBD_transfer_ep0

```

int32_t USBD_transfer_ep0 ( USBD_ENDPOINT_DIR dir,
                            uint8_t *       buffer,
                            size_t          dataLength,
                            size_t          requestLength
    )
  
```

Transfer data to/from a USB control endpoint.

Endpoint number is assumed to be zero.

Parameters

- [in] **dir** Control endpoint data direction.
- [in] **buffer** Appropriately sized buffer for the transfer.
- [in] **dataLength** For IN transfers, the number of bytes to be sent. For OUT transfers, the maximum number of bytes to read.
- [in] **requestLength** The number of bytes requested by the host in the `wLength` field of the SETUP packet.

Returns

The number of bytes actually transferred.
USBD_ERR_NOT_CONFIGURED if endpoint is not configured.

2.21.6.15 **USBD_clear_endpoint**

```
int8_t USBD_clear_endpoint ( USBD_ENDPOINT_NUMBER ep_number )
```

Clears endpoint stall.

Clears a stall from the specified endpoint. The default standard request handler will call this function for a CLEAR_FEATURE endpoint request.

Parameters

[in] **ep_number** USB endpoint number.

Returns

USBD_OK if successful
USBD_ERR_NOT_CONFIGURED if endpoint is not configured.
USBD_ERR_INVALID_PARAMETER if endpoint number not allowed.

2.21.6.16 **USBD_ep_max_size**

```
uint16_t USBD_ep_max_size ( USBD_ENDPOINT_NUMBER ep_number )
```

Find Max Packet Size of USB endpoint.

Parameters

[in] **ep_number** USB endpoint number.

Returns

Return the maximum number of bytes which can be sent or received single USB packets for an endpoint.

USBD_ERR_NOT_CONFIGURED if the endpoint is not configured.
USBD_ERR_INVALID_PARAMETER if the endpoint number is not allowed.

2.21.6.17 **USBD_ep_buffer_full**

```
int8_t USBD_ep_buffer_full ( USBD_ENDPOINT_NUMBER ep_number )
```

Get USB endpoint buffer status.

Returns the current buffer status of an endpoint using the SELECT_ENDPOINT call.

Parameters

[in] **ep_number** USB endpoint number.

Returns

Current state of the endpoint buffer. TRUE if full, FALSE if empty.

2.21.6.18 **USBD_get_ep_stalled**

```
int8_t USBD_get_ep_stalled ( USBD_ENDPOINT_NUMBER ep_number )
```

Get USB endpoint stall status.

Returns the current stall status of an endpoint using the SELECT_ENDPOINT call.

Parameters

[in] **ep_number** USB endpoint number.

Returns

Current stall state of the endpoint.

>0 if stalled, zero if not stalled.

USB_D_ERR_NOT_CONFIGURED if the endpoint is not configured.

USB_D_ERR_INVALID_PARAMETER if the endpoint number is not allowed.

2.21.6.19 USB_D_stall_endpoint

```
int8_t USB_D_stall_endpoint ( USB_D_ENDPOINT_NUMBER ep_number )
```

Stall endpoint.

Stalls the specified endpoint. The default standard request handler will call this function for a SET_FEATURE endpoint request.

Parameters

[in] **ep_number** USB endpoint number.

Returns

USB_D_OK if successful

USB_D_ERR_NOT_CONFIGURED if the endpoint is not configured.

USB_D_ERR_INVALID_PARAMETER if the endpoint number is not allowed.

2.21.6.20 USB_D_get_state

```
USB_D_STATE USB_D_get_state ( void )
```

Get USB state.

Returns the current state of the current USB device. Please refer to section 9.1 of the USB 2.0 spec for more information.

Returns

Current state of the current USB device.

2.21.6.21 USB_D_req_get_configuration

```
int8_t USB_D_req_get_configuration ( void )
```

Handles GET_CONFIGURATION request.

Handles the DATA phase of a GET_CONFIGURATION request from the host. The application has to respond with SETUP ACK or STALL. The default standard request handler will call this function; if the handler is overridden then the application must call this when this request is received.

Returns

USB_D_OK on success.

USB_D_ERR_INVALID_PARAMETER if req is invalid.

2.21.6.22 USB_D_req_set_address

```
int8_t USB_D_req_set_address ( USB_DEVICE_REQUEST * req )
```

Handles SET_ADDRESS request.

Places the device in the ADDRESS state. The application has to respond with SETUP ACK or STALL. The default standard request handler will call this function; if the handler is overridden then the application must call this when this request is received.

Parameters

[in] **req** USB request.

Returns

USBD_OK on success.
USBD_ERR_INVALID_PARAMETER if req is invalid.

2.21.6.23 *USBD_req_set_configuration*

int8_t USBD_req_set_configuration (USB_device_request * req)

Handles SET_CONFIGURATION request.

Places the device in the CONFIGURED state or puts it back into the ADDRESS state. The application has to respond with SETUP ACK or STALL. The default standard request handler will call this function; if the handler is overridden then the application must call this when this request is received.

Parameters

[in] req USB request.

Returns

USBD_OK on success.
USBD_ERR_INVALID_PARAMETER if req is invalid.

2.21.6.24 *USBD_get_remote_wakeup*

uint8_t USBD_get_remote_wakeup (void)

Get USB remote wakeup feature status.

Returns the current feature status of remote wakeup.

Returns

Current remote wakeup feature status. TRUE if enabled, FALSE if not enabled.

2.21.6.25 *USBD_set_remote_wakeup*

void USBD_set_remote_wakeup (void)

Set USB remote wakeup feature status.

2.21.6.26 *USBD_clear_remote_wakeup*

void USBD_clear_remote_wakeup (void)

Clear USB remote wakeup feature status.

2.21.6.27 *USBD_wakeup*

void USBD_wakeup (void)

Drive resume signalling upstream when remote wakeup is enabled.

.

2.21.6.28 *USBD_resume*

void USBD_resume (void)

When USB related events like host resume and host reset are detected, PM irq will be received if it is enabled. The firmware needs to remove the SUSPEND from the PHY by calling this function.

2.21.6.29 *USBD_ep_data_rx_count(USBD_ENDPOINT_NUMBER ep_number)*

```
void USBD_ep_data_rx_count ( USBD_ENDPOINT_NUMBER ep_number )
```

Provides the size of the OUT packet that is yet to be read.

Parameters

[in] **ep_number** USB endpoint number.

Returns

The number of bytes actually received.

USBD_ERR_NOT_CONFIGURED if endpoint is not configured.

2.22 DFU Device for USB Device Stack API

The file **ft900_usbd_dfu.h** contains the definitions for the USB DFU device functions in the libft900.a library.

API functions for USB Device DFU interfaces. These functions provide functionality required to communicate with a DFU application through the USB Device interface.

Please consult the Device Firmware Upgrade 1.1 Specification from the USB-IF for details of the DFU state machine employed in this driver.

2.22.1 API Cross Reference

It utilises the following library APIs:

ft900_gpio.h – General Purpose I/O and Pad Control

ft900_sys.h – Chip Management

ft900_delay.h – Delay

ft900_interrupt.h – Interrupt Management

Additional definitions are taken from:

ft900_usbh_internal.h – Internal-only USB host definitions

ft900_usb.h – General USB definitions

ft900_registers.h – FT900 register definitions

2.22.2 Macro Definition Documentation

2.22.2.1 USBD_DFU_ATTRIBUTES

```
#define USBD_DFU_ATTRIBUTES
```

Value:

```
(USB_DFU_BMATTRIBUTES_CANDNLOAD |  
USB_DFU_BMATTRIBUTES_WILLDETACH |  
USB_DFU_BMATTRIBUTES_CANUPLOAD)
```

Sets the default feature support for the DFU library. This will allow firmware uploads (read of device firmware), downloads (program device firmware) and device detaches (no USB reset needs to be generated by the host).

2.22.2.2 USBD_DFU_MAX_BLOCK_SIZE

```
#define USBD_DFU_MAX_BLOCK_SIZE
```

Value:

```
256
```

Sets the maximum size of a download or upload block for the library. The physical addresses calculated for programs are based on this value.

2.22.2.3 USBD_DFU_TIMEOUT

```
#define USBD_DFU_TIMEOUT
```

Value:

```
0x2000
```


The timeout (in milliseconds) used to revert to the appIDLE state after a DFU_DETACH request if a USB reset is not received. This is not applicable when the USB_DFU_BMATRIBUTES_WILLDETACH bit is set in the attributes.

2.22.3 Function Documentation

2.22.3.1 USBD_DFU_timer

```
uint8_t USBD_DFU_timer ( void )
```

Decrements the detach_counter and adjusts state accordingly.

If the state is appDETACH move to dfuIDLE state if we have been in the appDETACH state longer than the attach timeout specified by the DFU_DETACH request.

NOTE: This is run from INTERRUPT LEVEL as a handler for an ISR.

The bmAttributes value set in the USBD_DFU_ATTRIBUTES determines the actions that are taken upon a timer event (i.e. may call a detach).

Parameters

attributes - The bmAttributes value set in the DFU functional descriptor. This determines the actions that are taken upon a reset.

Returns

Zero if timer running, non-zero if timer expired.

2.22.3.2 USBD_DFU_reset

```
uint8_t USBD_DFU_reset ( void )
```

Implementation of USB reset state handler for DFU.

Reset or advance the DFU state machine when a USB reset is encountered. This will change the state to dfuIDLE if it was in appDETACH state before. It will change to dfuERROR if a download was in progress. Otherwise it will return to appIDLE.

Return a byte to the host indicating if the next state change of the DFU state machine byte requires code to be reloaded and run. I.e. a new program needs to be run. The bmAttributes value set in the USBD_DFU_ATTRIBUTES determines the actions that are taken upon a reset.

Returns

status - non-zero if new program is to be run.

2.22.3.3 USBD_DFU_is_runtime

```
uint8_t USBD_DFU_is_runtime ( void )
```

Determine current mode of DFU.

Returns

Returns non-zero if the DFU state machine is in runtime mode.

2.22.3.4 USBD_DFU_set_dfumode

```
void USBD_DFU_set_dfumode ( void )
```

Force a transition into DFU mode. There is no detaching. This is used when the run-time mode is not used.

2.22.3.5 USBD_DFU_class_req_detach

```
void USBD_DFU_class_req_detach ( uint16_t timeout )
```

USB class request handler for DFU_DETACH.

Move the state machine to appDETACH state from appIDLE and initialise a timeout within which time the host should set a USB reset on the bus. An ACK packet is sent on the USB control IN endpoint to the host to acknowledge successful completion of this request. The bmAttributes value set in the USBD_DFU_ATTRIBUTES determines the actions that are taken upon a detach.

Parameters

[in] **timeout** - Number of milliseconds timeout before reverting to appIDLE if no USB reset is forthcoming from the host.

2.22.3.6 USBD_DFU_class_req_getstate

```
void USBD_DFU_class_req_getstate ( uint16_t requestLen )
```

USB class request handler for DFU_GETSTATE.

Return a single byte to the host containing the current DFU state machine byte. The data is written via the control IN endpoint to the host.

Parameters

requestLen - Number of bytes requested by the host.

2.22.3.7 USBD_DFU_class_req_getstatus

```
void USBD_DFU_class_req_getstatus ( uint16_t requestLen )
```

USB class request handler for DFU_GETSTATUS.

Return a structure to the host containing the current DFU state machine and status bytes. These are used by the application on the host to work out whether any errors have occurred and what the status of the device is. The structure is written via the control IN endpoint to the host. The bmAttributes value set in the USBD_DFU_ATTRIBUTES determines the actions that are taken upon a GET_STATUS.

Parameters

requestLen - Number of bytes requested by the host.

2.22.3.8 USBD_DFU_class_req_download

```
void USBD_DFU_class_req_download ( uint32_t block,  
                                   uint16_t dataLength  
                                   )
```

USB class request handler for DFU_DNLOAD.

Receive blocks of firmware from the host on the control OUT endpoint and program these into the MTP. If the state machine is in dfuIDLE then move to dfuDNLOAD_IDLE state.

If zero length data is received indicating the end of the firmware then move the state machine to dfuMANIFEST_WAIT_RESET. If an address or data length error are detected then move to the dfuERROR state. An ACK packet is sent on the USB control IN endpoint to the host to acknowledge successful completion of this request. If the bmAttributes value set in the USBD_DFU_ATTRIBUTES does not support download then this function will have no body.

Parameters

[in] **address** - starting address of data to program. It is up to the calling program to make sure this is calculated correctly.

[in] **dataLength** - Number of bytes to program. This can be between the control endpoint max packet size and DFU_MAX_BLOCK_SIZE.

2.22.3.9 USBDFU_class_req_upload

```
void USBDFU_class_req_upload ( uint32_t    block,  
                               uint16_t    dataLength  
                               )
```

USB class request handler for DFU_UPLOAD.

Receive blocks of firmware from the Flash to the control IN endpoint. If the state machine is in dfuIDLE then move to dfuUPLOAD_IDLE. If an address or data length error are detected then move to the dfuERROR state. An ACK packet is sent on the USB control IN endpoint to the host to acknowledge successful completion of this request. If the bmAttributes value set in the USBDFU_ATTRIBUTES does not support upload then this function will have no body.

Parameters

[in] **address** - starting address of data to read. It is up to the calling program to make sure this is calculated correctly.

[in] **dataLength** - Number of bytes to read. This can be between the control endpoint max packet size and DFU_MAX_BLOCK_SIZE.

2.22.3.10 USBDFU_class_req_clrstatus

```
void USBDFU_class_req_clrstatus ( void )
```

USB class request handler for DFU_CLRSTATUS.

Clears an error state for the DFU state machine.

2.22.3.11 USBDFU_class_req_abort

```
void USBDFU_class_req_abort ( void )
```

USB class request handler for DFU_ABORT.

Aborts transaction and resets the DFU state machine.

2.22.3.12 USBDFU_is_wait_reset

```
uint8_t USBDFU_is_wait_reset ( void )
```

Determine if DFU waiting to reset.

Returns

Returns non-zero if the DFU state machine is in dfuMANIFEST-WAIT-RESET and is therefore waiting for a host reset or detach/attach sequence. If the bmAttributes value set in the USBDFU_ATTRIBUTES does support manifestation then this function should not be required.

2.23 USB Host Stack API

The file **ft900_usbh.h** contains the definitions for the USB host functions in the libft900.a library. This contains USB Host API function definitions, constants and structures which are exposed in the API.

2.23.1 API Cross Reference

It utilises the following library APIs:

ft900_gpio.h – General Purpose I/O and Pad Control

ft900_sys.h – Chip Management

ft900_delay.h – Delay

ft900_interrupt.h – Interrupt Management

Additional definitions are taken from:

ft900_usb.h – General USB definitions

ft900_registers.h – FT900 register definitions

2.23.2 Macro Definition Documentation

2.23.2.1 Library status values.

```
#define USBH_OK 0x00
```

Success for USB Host function.

```
#define USBH_ENUM_NO_CHANGE 1
```

No change in enumeration. This status does not constitute an error condition.

```
#define USBH_ENUM_PARTIAL 2
```

Partial enumeration only. The enumeration process did not have enough resources to completely enumerate all devices on the USB. This may constitute an error.

```
#define USBH_ERR_RESOURCES -1
```

Lack of resources to perform USB Host function.

```
#define USBH_ERR_USBERR -2
```

Host controller completed and reported an error.

```
#define USBH_ERR_HOST_HALTED -3
```

Host controller halted.

```
#define USBH_ERR_NOT_FOUND -4
```

Endpoint, Device or Interface not found.

```
#define USBH_ERR_REMOVED -5
```

Endpoint, Device or Interface removed.

```
#define USBH_ERR_STALLED -6
```

Endpoint stalled.

```
#define USBH_ERR_TIMEOUT -8
```

Endpoint transaction timeout.

```
#define USBH_ERR_PARAMETER -15
```

Request parameter error.

```
#define USBH_ERR_HALTED -16
```

Transaction completed with halted state.

```
#define USBH_ERR_DATA_BUF -17
```

Endpoint data underun or overrun.

```
#define USBH_ERR_BABBLE -18
```

Endpoint data babble detected.

```
#define USBH_ERR_MISSED_MICROFRAME -20
```

Endpoint data missed microframe.

2.23.2.2 Predefined Handles

```
#define USBH_ROOT_HUB_HANDLE 0
```

Handle used to access Root hub.

```
#define USBH_ROOT_HUB_PORT 0
```

Port used to access Root hub.

```
#define USBH_HUB_ALL_PORTS 0
```

Port used to access all devices on a hub.

2.23.3 Typedef Documentation

2.23.3.1 USBH_callback

```
typedef int8_t(* USBH_callback) (uint32_t id, int8_t status, uint16_t len, uint8_t *buffer)
```

USB callback used when completing a transaction or receiving a notification from the USBH library. It is not permissible to make a call to **USBH_transfer_async()** and specify a callback function. This will produce unspecified results.

Parameters

- [in] **id** Identifier for completed transaction
- [in] **status** Status of operation that caused callback
- [in] **len** Size of data buffer
- [in] **buffer** Pointer to data buffer

Returns

USBH_OK if the request was handled successfully.
USBH_ERR_* depending on function.

2.23.3.2 Device, Endpoint and Interface Handles

Handles are used to pass devices, interfaces and endpoints to the application. (Pointers to the USBH_device, USBH_interface and USBH_endpoint structures are not allowed as these are only

used internally.) The handles allow embedding an enumeration value to detect stale handles which have been retained by the application. Enumeration is a dynamic operation and devices may appear and disappear without warning. This makes sure that new devices cannot be mistakenly used by an old handle.

```
typedef uint32_t USBH_device_handle
```

Structure that is used to pass a handle to a device to the application. It is made up of a pointer to the device structure and a fairly unique value to detect enumeration changes and hence stale handles.

```
typedef uint32_t USBH_endpoint_handle
```

Structure that is used to pass a handle to an endpoint to the application. It is made up of a pointer to the endpoint structure and a fairly unique value to detect enumeration changes and hence stale handles.

```
typedef uint32_t USBH_interface_handle
```

Structure that is used to pass a handle to an interface to the application. It is made up of a pointer to the interface structure and a fairly unique value to detect enumeration changes and hence stale handles.

2.23.3.3 Endpoint Information

```
typedef uint8_t USBH_ENDPOINT_NUMBER
```

USB Endpoint Numbers.

```
typedef uint16_t USBH_ENDPOINT_SIZE
```

USB Endpoint Sizes.

2.23.4 Structure Documentation

2.23.4.1 USBH_ctx

Struct containing configuration data for the USB EHCI controller, USBH memory space allocation, callback functions for USB events.

Data Fields

```
USBH_callback enumeration_change
```

Field Documentation

enumeration_change

NOT CURRENTLY IMPLEMENTED. Enumeration state callback function. Optional. TBD: return a code and maybe a structure to indicate what has changed and how.

2.23.4.2 USBH_device_info

Structure containing current information about a device.

Data Fields

```
uint8_t port_number
```

```
uint8_t Addr
```

```
uint8_t Speed
```

```
uint8_t Configuration
```

```
uint8_t num_configurations
```

Field Documentation

port_number

Port number on parent hub.

addr

Configured address on USB bus.

speed

Current USB bus speed for device. Definitions in USBH_ENDPOINT_SPEED. 0 - Low speed. 1 - Full speed. 2 - High speed.

configuration

Active configuration for this device currently set with SET_CONFIGURATION.

num_configurations

Total number of configurations for this device.

2.23.4.3 USBH_interface_info

Structure containing current information about an interface.

Data Fields

USBH_device_handle	dev
uint8_t	interface_number
uint8_t	alt

Field Documentation

dev

Handle to the parent device of this interface.

interface_number

Interface number from Interface Descriptor.

alt

Alternate setting for this interface currently set with SET_INTERFACE.

2.23.4.4 USBH_endpoint_info

Structure containing current information about an endpoint.

Data Fields

USBH_interface_handle	iface
USBH_ENDPOINT_NUMBER	index
USBH_ENDPOINT_DIR	direction
USBH_ENDPOINT_SIZE	max_packet_size
USBH_ENDPOINT_TYPE	type

Field Documentation

iface

Handle to the parent interface of this endpoint.

index

Encodes USB endpoint number (0-127).

direction

IN or OUT endpoint

max_packet_size

Endpoint max packet size

type

BULK, ISO, INT or CTRL endpoint

2.23.5 Enumeration Type Documentation

2.23.5.1 USBH_STATE

enum USBH_STATE

USB Root Hub Connection States.

Enumerator	
USBH_STATE_NOTCONNECTED	No device is attached to USB root hub.
USBH_STATE_CONNECTED	Device is attached to USB root hub.
USBH_STATE_ENUMERATED	Device is attached successfully and enumerated. All downstream devices have also been successfully enumerated.
USBH_STATE_ENUMERATED_PARTIAL	Device is attached and has been partially enumerated. There may be more devices, interfaces or endpoints connected than configured. Some devices may be missing interfaces and/or endpoints. It is conceivable that some downstream devices may not be configured at all.

2.23.5.2 USBH_CONTROLLER_STATE

enum USBH_CONTROLLER_STATE

USB Host Controller State describing if the host is operational or suspending or resuming. Used to control transitions between these states.

Enumerator

USBH_CONTROLLER_STATE_RESET	Controller reset and uninitialized.
USBH_CONTROLLER_STATE_OPERATIONAL	Controller initialised and operational.
USBH_CONTROLLER_STATE_SUSPENDING	Controller performing a suspend. Transitioning from operational to suspend.
USBH_CONTROLLER_STATE_SUSPEND	Controller in suspend state. No SOFs generated.
USBH_CONTROLLER_STATE_RESUME	Controller performing a resume. Transitioning from suspend to operational.

2.23.5.3 USBH_ENDPOINT_DIR

enum USBH_ENDPOINT_DIR

USB Endpoint Direction.

Enumerator	
USBH_DIR_OUT	Direction host to device.
USBH_DIR_IN	Direction device to host.
USBH_DIR_SETUP	Force a SETUP PID to a control endpoint.

2.23.5.4 USBH_ENDPOINT_SPEED

enum USBH_ENDPOINT_SPEED

USB Endpoint Speed.

Enumerator	
USBH_SPEED_LOW	Low speed.
USBH_SPEED_FULL	Full speed.
USBH_SPEED_HIGH	High speed.

2.23.5.5 USBH_ENDPOINT_TYPE

enum USBH_ENDPOINT_TYPE

USB Endpoint Types.

Enumerator	
USBH_EP_TYPE_DISABLED	Disabled.
USBH_EP_BULK	Bulk Endpoint.
USBH_EP_INT	Interrupt Endpoint.
USBH_EP_ISOC	Isochronous Endpoint.

USBH_EP_CTRL

Control Endpoint.

2.23.6 Function Documentation

2.23.6.1 USBH_initialise

```
void USBH_initialise ( USBH_ctx * ctx )
```

Initialise USB hardware.

Performs a software reset and initialises the USB hardware.

The USBH_ctx contains function pointers to the application for handling USB events. Currently only and enumeration change event is implemented. This function MUST be called prior to any further call to the USB functions.

Parameters

[in] **ctx** USB context.

2.23.6.2 USBH_finalise

```
void USBH_finalise ( void )
```

Finalise USB hardware.

Releases any resources associated with the USB driver and disables the hardware.

2.23.6.3 USBH_enumerate

```
int8_t USBH_enumerate ( USBH_device_handle hub,  
                        uint8_t port  
                        )
```

Force a re-enumeration of a hub.

Select a hub to force re-enumeration. To enumerate the root hub the handle is set to USBH_ROOT_HUB_HANDLE or zero. To enumerate all ports on a hub set the port value to USBH_HUB_ALL_PORTS or zero.

NOTE: The USBH_process call will monitor the Root hub and downstream hubs to manage the connection/removal of devices and enumeration of devices.

Parameters

[in] **hub** Handle to hub device.

[in] **port** Port on hub.

Returns

USBH_OK if successful.
USBH_ERR_NOT_FOUND if hub handle is invalid.
USBH_ERR_RESOURCES if there are insufficient resources.
USBH_ERR_* depending on USB bus errors.

2.23.6.4 USBH_process

```
int8_t USBH_process ( void )
```

To be continuously called by the user application. Checks for asynchronous transfer completions and root hub events.

When a root hub connection is detected then the enumeration routine is called automatically. There is no requirement to call `USBH_enumerate` if `USBH_process` is called periodically.

Parameters

[in] **Nothing**

Returns

Non-zero if USB transaction has been processed.

2.23.6.5 USBH_timer

```
void USBH_timer ( void )
```

To be called every millisecond from an interrupt handler to provide timeout support for USB host transactions. This will check all pending transfers, decrement timeout values and expire any timed out transactions.

2.23.6.6 USBH_transfer

```
int32_t USBH_transfer ( USBH_endpoint_handle endpoint,  
                        uint8_t *          buffer,  
                        size_t            length,  
                        uint16_t         timeout  
                        )
```

Transfer data to/from a USB endpoint.

USB IN or OUT request is implied from the `ep` parameter. This is a blocking call to complete a transaction.

Parameters

[in] **endpoint** Endpoint to address.

[in] **buffer** Appropriately sized buffer for the transfer.

[in] **length** For IN transfers, the number of bytes to be sent. For OUT transfers, the maximum number of bytes to read.

[in] **timeout** Number of milliseconds to wait for response.

Returns

Number of bytes transferred if successful. (i.e. ≥ 0)
`USBH_ERR_NOT_FOUND` if endpoint handle is invalid.
`USBH_ERR_RESOURCES` if there are insufficient resources.
`USBH_ERR_*` depending on USB bus errors.

2.23.6.7 USBH_transfer_async

```
int32_t USBH_transfer_async ( USBH_endpoint_handle endpoint,  
                              uint8_t *          buffer,  
                              size_t            length,  
                              uint16_t         timeout,
```

```

uint32_t      id,
USBH_callback cb
)

```

Asynchronously transfer data to/from a USB endpoint.

USB IN or OUT request is implied from the ep parameter. This is a blocking call to complete a transaction.

Parameters

- [in] **endpoint** Endpoint to address.
- [in] **buffer** Appropriately sized buffer for the transfer.
- [in] **length** For IN transfers, the number of bytes to be sent. For OUT transfers, the maximum number of bytes to read.
- [in] **timeout** Number of milliseconds to wait for response. Zero for infinite timeout.
- [in] **id** Identifier for asynchronous transaction. Passed to the callback function.
- [in] **cb** Callback function to notify application of completion of asynchronous transfer. Parameters for callback function are defined in the USBH_callback typedef. The status of the transaction and any pending data (from an IN) will be returned to the callback function. The function must return with minimum processing. When it returns the USB_xfer structure is discarded and invalidated. It is not permissible to make further calls to this function from within the callback function. This will produce unspecified results. SETUP and blocking calls are allowed but may have a performance penalty on application code.

Returns

Number of bytes transferred if successful. (i.e. >= 0)
 USBH_ERR_NOT_FOUND if endpoint handle is invalid.
 USBH_ERR_RESOURCES if there are insufficient resources.
 USBH_ERR_* depending on USB bus errors.

2.23.6.8 USBH_get_connect_state

```

int8_t USBH_get_connect_state ( USBH_device_handle hub,
                               uint8_t          port,
                               USBH_STATE *     state
)

```

Determine if a hub port has a downstream connection.

Select a hub and a port to query. For the root hub the handle will be NULL and the port zero.

Parameters

- [in] **hub** Handle to hub device.
- [in] **port** Port number on hub.
- [out] **state** USBH_STATE enumeration for current state of hub port connection.

Returns

USBH_OK if successful.
USBH_ERR_NOT_FOUND if hub handle is invalid.
USBH_ERR_* an error occurred sending the request to a USB hub.

2.23.6.9 USBH_get_controller_state

```
int8_t USBH_get_controller_state ( USBH_CONTROLLER_STATE * state )
```

Get host controller state.

Get the state of the host controller. This may be used by an application to check if the controller is in suspend or operational state. There are intermediate states which can be found during transitions from operational to suspend and back. Recommended to use explicit state tests, i.e. "if state is suspended" rather than "if state is not operational".

Parameters

[out] **state** State enum for host.

Returns

USBH_OK if successful.

2.23.6.10 USBH_get_frame_number

```
uint16_t USBH_get_frame_number ( void )
```

Get frame number.

Get the current frame number. These increments when the host is operational and will cease to increment when suspended. This number is sent in the SOF.

Returns

Frame number (14 bit value).

2.23.6.11 USBH_get_device_count

```
int8_t USBH_get_device_count ( USBH_device_handle device,  
                               uint8_t * count  
                               )
```

Get device count.

Get the count of child device enumerated for a device. For devices on the root hub the handle is set to USBH_ROOT_HUB_HANDLE.

Parameters

[in] **device** Count child devices on this device

[out] **count** Number of child devices

Returns

USBH_OK if successful.
USBH_ERR_NOT_FOUND if device handle is invalid.

2.23.6.12 USBH_get_device_list

```
int8_t USBH_get_device_list ( USBH_device_handle device,  
                              USBH_device_handle * child  
                              )
```

Get device list.

Get the first child device of a device. The function will return a handle to a device if there are one or more child devices. For devices on the root hub the handle is set to USBH_ROOT_HUB_HANDLE. If there are no interfaces then a NULL is returned.

Parameters

[in] **device** Handle to a device.

[out] **child** Handle to first child device.

Returns

USBH_OK if successful.

USBH_ERR_NOT_FOUND if device handle is invalid.

2.23.6.13 *USBH_get_next_device*

```
int8_t USBH_get_next_device ( USBH_device_handle device,  
                             USBH_device_handle * next  
                             )
```

Get next device in list.

Get the next device in the list. The function will return a handle to the device if there are more devices. If there are no more devices then a NULL is returned.

Parameters

[in] **device** Handle to a device.

[in] **device** Handle to a device.

Returns

USBH_OK if successful.

USBH_ERR_NOT_FOUND if device handle is invalid.

2.23.6.14 *USBH_device_get_info*

```
int8_t USBH_device_get_info ( USBH_device_handle device,  
                              USBH_device_info * info  
                              )
```

Get device information.

Get information of a device.

Parameters

[in] **device** Handle to a device.

[out] **info** Structure to receive device information.

Returns

USBH_OK if successful.

USBH_ERR_NOT_FOUND if device handle is invalid.

2.23.6.15 *USBH_device_get_descriptor*

```
int8_t USBH_device_get_descriptor ( USBH_device_handle device,
```

```

uint8_t      type,
uint8_t      index,
uint16_t     len,
uint8_t*     buf
)

```

Get a descriptor from a device.

Sends a GET_DESCRIPTOR request to a device.

Parameters

- [in] **device** Handle to a device.
- [in] **type** Configuration descriptor type.
- [in] **index** Index of descriptor.
- [in] **len** Configuration descriptor len (or number of bytes to read).
- [in] **buf** Location to copy descriptor into.

Returns

USBH_OK if successful.
 USBH_ERR_NOT_FOUND if device handle is invalid.
 USBH_ERR_RESOURCES if there are insufficient resources.
 USBH_ERR_* depending on USB bus errors.

2.23.6.16 USBH_device_get_configuration

```

int8_t USBH_device_get_configuration ( USBH_device_handle device,
                                     uint8_t*             conf
)

```

Gets the current configuration value of a device.

Sends a GET_CONFIGURATION request to a device.

Parameters

- [in] **device** Handle to a device.
- [out] **conf** Current configuration value.

Returns

USBH_OK if successful.
 USBH_ERR_NOT_FOUND if device handle is invalid.
 USBH_ERR_RESOURCES if there are insufficient resources.
 USBH_ERR_* depending on USB bus errors.

2.23.6.17 USBH_device_get_vid_pid

```

int8_t USBH_device_get_vid_pid ( USBH_device_handle device,
                                 uint16_t*          vid,
                                 uint16_t*          pid
)

```

Get device VID and PID.

Get the VID and PID of a device.

Parameters

[in] **device** Handle to a device.

[out] **vid** Vendor ID value from Device Descriptor.

[out] **pid** Product ID value from Device Descriptor.

Returns

USBH_OK if successful.

USBH_ERR_NOT_FOUND if device handle is invalid.

2.23.6.18 *USBH_device_setup_transfer*

```
int32_t USBH_device_setup_transfer ( USBH_device_handle device,  
                                     USB_device_request * req,  
                                     uint8_t *          buffer,  
                                     int16_t           timeout  
                                     )
```

Transfer data to/from a USB control endpoint.

USB IN or OUT request is implied from the req parameter. The length of the transfer is implied from the dwLength member of the **USB_device_request** structure. For IN transfers, length is the number of bytes to be sent. For OUT transfers, length is the maximum number of bytes to read.

Parameters

[in] **device** Device to address.

[in] **req** USB Device Request to send in SETUP token.

[in] **buffer** Appropriately sized buffer for the transfer.

[in] **timeout** Number of milliseconds to wait for response.

Returns

Number of bytes transferred if successful. (i.e. >= 0)

USBH_ERR_NOT_FOUND if device handle is invalid.

USBH_ERR_RESOURCES if there are insufficient resources.

USBH_ERR_* depending on USB bus errors.

2.23.6.19 *USBH_device_remote_wakeup*

```
int8_t USBH_device_remote_wakeup ( USBH_device_handle device,  
                                     const uint8_t      request  
                                     )
```

Sets or clears a remote wakeup feature request to a device.

Sends a SET_FEATURE request to a device.

This function is currently NOT IMPLEMENTED.

Parameters

[in] **device** Handle to a device.

[in] **request** Set or Clear Port feature. Described in Table 9-4 in Section 9.4 of USB Specification.

Returns

USBH_OK if successful.
USBH_ERR_NOT_FOUND if device handle is invalid.
USBH_ERR_RESOURCES if there are insufficient resources.
USBH_ERR_* depending on USB bus errors.

2.23.6.20 *USBH_device_set_configuration*

```
int8_t USBH_device_set_configuration ( USBH_device_handle device,  
                                     const uint8_t      conf  
                                     )
```

Sets the current configuration value of a device.

Sends a SET_CONFIGURATION request to a device.

NOTE: Should strictly only be done during enumeration.

Parameters

[in] **device** Handle to a device.

[in] **conf** New configuration value.

Returns

USBH_OK if successful.
USBH_ERR_NOT_FOUND if the device handle is invalid.
USBH_ERR_RESOURCES if there are insufficient resources.
USBH_ERR_* depending on USB bus errors.

2.23.6.21 *USBH_get_interface_count*

```
int8_t USBH_get_interface_count ( USBH_device_handle device,  
                                  uint8_t *          count  
                                  )
```

Get interface count.

Get the count of interfaces enumerated for a device.

Parameters

[in] **device** Count interface on this device

[out] **count** Number of interfaces on device

Returns

USBH_OK if successful.
USBH_ERR_NOT_FOUND if the device handle is invalid.

2.23.6.22 *USBH_get_interface_list*

```
int8_t USBH_get_interface_list ( USBH_device_handle device,
```

```
        USBH_interface_handle * interface
    )
```

Get interface list.

Get the first interface of a device. The function will return a handle to the interface if there is one or more interfaces. If there are no interfaces then a NULL is returned.

Parameters

[in] **device** Handle to a device.

[out] **interface** Handle to the first interface.

Returns

USBH_OK if successful.

USBH_ERR_NOT_FOUND if device handle is invalid.

2.23.6.23 *USBH_get_next_interface*

```
int8_t USBH_get_next_interface ( USBH_interface_handle interface,
                                USBH_interface_handle * next
    )
```

Get next interface in list.

Get the next interface in the list. The function will return a handle to the interface if there are more interfaces. If there are no more interfaces then a NULL is returned.

Parameters

[in] **interface** Handle to an interface.

[out] **next** Handle to the next interface.

Returns

USBH_OK if successful.

USBH_ERR_NOT_FOUND if interface handle is invalid.

2.23.6.24 *USBH_interface_get_info*

```
int8_t USBH_interface_get_info ( USBH_interface_handle interface,
                                USBH_interface_info * info
    )
```

Get interface information.

Get information of an interface.

Parameters

[in] **interface** Handle to an interface.

[out] **info** Structure to receive interface information.

Returns

USBH_OK if successful.

USBH_ERR_NOT_FOUND if interface handle is invalid.

2.23.6.25 USBH_interface_get_class_info

```
int8_t USBH_interface_get_class_info ( USBH_interface_handle interface,  
                                     uint8_t * devClass,  
                                     uint8_t * devSubclass,  
                                     uint8_t * devProtocol  
                                     )
```

Get interface class, subclass and protocol.

Get the class information of an interface.

Parameters

- [in] **interface** Handle to an interface.
- [out] **devClass** USB class value for the interface.
- [out] **devSubclass** USB subclass value for the interface.
- [out] **devProtocol** USB protocol value for the interface.

Returns

USBH_OK if successful.
USBH_ERR_NOT_FOUND if interface handle is invalid.

2.23.6.26 USBH_get_control_endpoint

```
int8_t USBH_get_control_endpoint ( USBH_device_handle device,  
                                   USBH_endpoint_handle * endpoint  
                                   )
```

Get control endpoint.

Get the control endpoint of a device. The function will return a handle to the control endpoint.

Parameters

- [in] **device** Handle to a device.
- [out] **endpoint** Handle to a control endpoint.

Returns

USBH_OK if successful. USBH_ERR_NOT_FOUND if device handle is invalid.

2.23.6.27 USBH_get_endpoint_count

```
int8_t USBH_get_endpoint_count ( USBH_interface_handle interface,  
                                 uint8_t * count  
                                 )
```

Get endpoint count.

Get the count of endpoints enumerated for an interface.

Parameters

- [in] **interface** Count endpoints on this interface

[out] **count** Number of endpoints on interface

Returns

USBH_OK if successful.
USBH_ERR_NOT_FOUND if interface handle is invalid.

2.23.6.28 *USBH_get_endpoint_list*

```
int8_t USBH_get_endpoint_list ( USBH_interface_handle interface,  
                               USBH_endpoint_handle * endpoint  
                               )
```

Get endpoint list.

Get the first endpoint of an interface. The function will return a handle to the endpoint if there are one or more endpoints. If there are no endpoints then a NULL is returned.

Parameters

[in] **interface** Handle to an interface.

[out] **next** Handle to first endpoint.

Returns

USBH_OK if successful.
USBH_ERR_NOT_FOUND if interface handle is invalid.

2.23.6.29 *USBH_get_next_endpoint*

```
int8_t USBH_get_next_endpoint ( USBH_endpoint_handle endpoint,  
                               USBH_endpoint_handle * next  
                               )
```

Get next endpoint in list.

Get the next endpoint in the list. The function will return a handle to the endpoint if there are more endpoints. If there are no more endpoints then a NULL is returned.

Parameters

[in] **endpoint** Handle to an endpoint.

[out] **next** Handle to next endpoint.

Returns

USBH_OK if successful.
USBH_ERR_NOT_FOUND if endpoint handle is invalid.

2.23.6.30 *USBH_endpoint_get_info*

```
int8_t USBH_endpoint_get_info ( USBH_endpoint_handle endpoint,  
                               USBH_endpoint_info * info  
                               )
```

Get endpoint information.

Get information of an endpoint.

Parameters

- [in] **endpoint** Handle to an endpoint.
- [out] **info** Structure to receive endpoint information.

Returns

USBH_OK if successful.
USBH_ERR_NOT_FOUND if endpoint handle is invalid.

2.23.6.31 USBH_endpoint_halt

```
int8_t USBH_endpoint_halt ( USBH_endpoint_handle endpoint,  
                           const uint8_t request  
                           )
```

Sets or clears an endpoint halt feature request to an endpoint.

Sends a SET_FEATURE request to an endpoint.

Parameters

- [in] **endpoint** Handle to an endpoint.
- [in] **request** Set or Clear Port feature. Described in Table 9-4 in Section 9.4 of USB Specification.

Returns

USBH_OK if successful.
USBH_ERR_NOT_FOUND if endpoint handle is invalid.
USBH_ERR_RESOURCES if there are insufficient resources.
USBH_ERR_* depending on USB bus errors.

2.23.6.32 USBH_interface_clear_host_halt

```
int8_t USBH_interface_clear_host_halt ( USBH_endpoint_handle endpoint )
```

Clear a halted flag on an endpoint in the host controller.

Instruct the USB host controller to remove the halt flag from an endpoint.

Parameters

- [in] **endpoint** Handle to an endpoint.

Returns

USBH_OK if successful.
USBH_ERR_NOT_FOUND if endpoint handle is invalid.

2.23.6.33 USBH_get_hub_status

```
int8_t USBH_get_hub_status ( USBH_device_handle hub,  
                           USB_hub_status * status  
                           )
```

Return status specified hub.

For the hub pointed to by the handle, return the status of the hub. For the root hub the handle will be NULL.

Parameters

[in] **hub** Handle to hub device.

[out] **status** Hub status. As described in Table 11-19 and Table 11-20 of Section 11.24.2.6 in the USB Specification. Status in low word and change in high word.

Returns

USBH_OK on success.

USBH_ERR_NOT_FOUND if hub handle is invalid.

USBH_ERR_* an error occurred querying a USB hub.

2.23.6.34 USBH_get_hub_port_count

```
int8_t USBH_get_hub_port_count ( USBH_device_handle hub,
                                uint8_t *          count
                                )
```

Return number of ports on specified hub.

For the hub pointed to by the handle, return the number of ports that are available. For the root hub the handle will be NULL.

Parameters

[in] **hub** Handle to hub device.

[out] **count** Number of ports on hub.

Returns

USBH_OK on success.

USBH_ERR_NOT_FOUND if hub handle is invalid.

2.23.6.35 USBH_get_hub_port_status

```
int8_t USBH_get_hub_port_status ( USBH_device_handle hub,
                                   const uint8_t      port,
                                   USB_hub_port_status * status
                                   )
```

Return the status of the specified port on the hub.

For the hub pointed to by the handle, return the status of the numbered port. For the root hub the handle will be NULL.

Parameters

[in] **hub** Handle to hub device.

[in] **port** Port number on hub.

[out] **status** Port status. As described in Table 11-21 of Section 11.24.2.7 in the USB Specification.

Returns

USBH_OK on success.

USBH_ERR_NOT_FOUND if hub handle is invalid.

USBH_ERR_* an error occurred querying a USB hub.

2.23.6.36 *USBH_hub_set/clear_feature*

```
int8_t USBH_hub_clear_feature ( USBH_device_handle    hub,  
                               const uint16_t        feature  
                               )  
  
int8_t USBH_hub_set_feature ( USBH_device_handle    hub,  
                              const uint16_t        feature  
                              )
```

Set/Clear Features on hub.

For the hub pointed to by the handle, send a set or clear feature. For the root hub the handle will be NULL. Set or Clear feature operation described in Section 11.24.2.12 & 11.24.2.1 of the USB Specification.

Parameters

[in] **hub** Handle to hub device.

[in] **feature** Port feature. As described in Table 11-17 of Section 11.24.2 in the USB Specification.

Returns

USBH_OK on success.

USBH_ERR_NOT_FOUND if hub handle is invalid.

USBH_ERR_* an error occurred sending the request to a USB hub.

2.23.6.37 *USBH_hub_set/clear_port_feature*

```
int8_t USBH_hub_set_port_feature ( USBH_device_handle    hub,  
                                   const uint8_t        port,  
                                   const uint16_t        feature  
                                   )  
  
int8_t USBH_hub_clear_port_feature ( USBH_device_handle    hub,  
                                     const uint8_t        port,  
                                     const uint16_t        feature  
                                     )
```

Set/Clear Port Features on hub.

For the hub pointed to by the handle, send a set or clear port feature. For the root hub the handle will be NULL. Set or Clear Port feature operation described in Section 11.24.2.13 & 11.24.2.2 of the USB Specification.

Parameters

[in] **hub** Handle to hub device.

[in] **port** Port number on hub.

[in] **feature** Port feature. As described in Table 11-17 of Section 11.24.2 in the USB Specification.

Returns

USBH_OK on success.

USBH_ERR_NOT_FOUND if hub handle is invalid.

USBH_ERR_* an error occurred sending the request to a USB hub.

2.24 USB Host Stack Extensions API

The file **ft900_usbd.h** contains the definitions for the USB host extension functions in the libft900.a library.

API functions for extensions to the USB Host stack. These functions provide additional functionality useful to implement a USB Host application.

2.24.1 API Cross Reference

It utilises the following library APIs:

ft900_usbh.h – USB host

Additional definitions are taken from:

ft900_usb.h – General USB definitions

2.24.2 Function Documentation

2.24.2.1 USBHX_enumerate_wait

```
USBH_STATE USBHX_enumerate_wait ( void )
```

Waits for a connection to the root hub and enumerates the device.

Will block until a device is connected to the root hub and then proceed to enumerate it and any downstream devices. Once this is complete then it will check the enumeration result and return. Will never return USBH_STATE_NOTCONNECTED.

Returns

USBH_STATE_CONNECTED - a device is connected but there was a general failure to enumerate.

USBH_STATE_ENUMERATED - Device connected and enumerated properly.

USBH_STATE_ENUMERATED_PARTIAL - Device connected and enumeration started. Enumeration did not complete so some devices, interfaces or endpoints may be missing.

2.24.2.2 USBHX_find_by_class

```
int8_t USBHX_find_by_class ( USBH_device_handle *   phDev,  
                             USBH_interface_handle * phInterface,  
                             uint8_t                usbClass,  
                             uint8_t                usbSubclass,  
                             uint8_t                usbProtocol  
                             )
```

Get interface class, subclass and protocol.

Get the class information of an interface.

Parameters

[in] **interface** Handle to an interface.

[out] **class** USB class value for interface.

[out] **subclass** USB subclass value for interface.

[out] **protocol** USB protocol value for interface.

Returns

USBH_OK if successful.
USBH_ERR_NOT_FOUND if interface handle is invalid.

2.24.2.3 USBHX_find_by_vid_pid

```
int8_t USBHX_find_by_vid_pid ( USBH_device_handle * phDev,  
                               uint16_t          usbVid,  
                               uint16_t          usbPid  
                               )
```

Find the first device with a specific VID and PID.

Get the VID and PID of a device.

Parameters

- [in] **device** Handle to a device.
- [out] **vid** Vendor ID value from Device Descriptor.
- [out] **pid** Product ID value from Device Descriptor.

Returns

USBH_OK if successful.
USBH_ERR_NOT_FOUND if device handle is invalid.

2.24.2.4 USBHX_get_config_descriptor

```
int8_t USBHX_get_config_descriptor ( USBH_device_handle device,  
                                     uint8_t          type,  
                                     uint8_t          index,  
                                     uint16_t         offset,  
                                     uint16_t         len,  
                                     uint8_t *       buf  
                                     )
```

Get a partial descriptor from a device.

Sends a GET_DESCRIPTOR request to a device and returns a section of the data.

Parameters

- [in] **device** Handle to a device.
- [in] **type** Configuration descriptor type.
- [in] **index** Index of descriptor.
- [in] **offset** Start position in descriptor to read.
- [in] **len** Number of bytes to read from position "offset".
- [in] **buf** Location to copy descriptor into (must be minimum size of "len").

Returns

USBH_OK if successful.
USBH_ERR_NOT_FOUND if device handle is invalid.

USBH_ERR_RESOURCES if there are insufficient resources.
USBH_ERR_* depending on USB bus errors.

2.24.2.5 USBHX_root_connected

int8_t USBHX_root_connected (void)

Tests if a device is connected to the root hub.

Returns

zero - No device connected.

non-zero - A device is connected but may not be enumerated.

2.24.2.6 USBHX_root_enumerated

int8_t USBHX_root_enumerated (void)

Tests if a device is connected to the root hub and enumerated.

Returns

zero - No device enumerated.

non-zero - A device is connected and enumerated. The device can be used with the USBH driver.

2.24.2.7 USBHX_root_enumeration_failed

int8_t USBHX_root_enumeration_failed (void)

Tests if the enumeration worked correctly.

Returns

zero - Device(s) enumerated correctly.

non-zero - No device connected, a device is connected but not enumerated or the device may have not been enumerated completely.

2.25 HID Devices on USB Host Stack API

The file **ft900_usbh_hid.h** contains the definitions for the USB host HID functions in the libft900.a library.

API functions for USB Host HID devices. These functions provide functionality required to communicate with a HID device through the USB Host interface.

Please refer to the documentation produced by the USB-IF covering HID devices including the Device Class Definition for HID 1.11.

2.25.1 API Cross Reference

It utilises the following library APIs:

ft900_delay.h – Delay

ft900_usbh.h – USB host

Additional definitions are taken from:

ft900_usb.h – General USB definitions

ft900_usb_hid.h –USB HID definitions

2.25.2 Structure Documentation

2.25.2.1 USBH_HID_context

HID device context.

Holds a context structure required by each instance of the driver.

Data Fields

USBH_device_handle	hHIDDevice
USBH_interface_handle	hHIDInterface
uint8_t	hidInterfaceNumber
USBH_endpoint_handle	hHIDEpIn
USBH_endpoint_handle	hHIDEpOut
uint8_t	reportInSize
uint8_t	reportOutSize

Field Documentation

hHIDDevice

USB host device handle for HID device.

hHIDInterface

USB host interface handle for HID device.

hidInterfaceNumber

Interface number for HID device.

hHIDEpIn

Handle for IN endpoint used by HID device.

hHIDEpOut

Handle for OUT endpoint used by HID device.

reportInSize

Report size in bytes for IN reports.

reportOutSize

Report size in bytes for OUT reports.

2.25.3 Function Documentation

2.25.3.1 USBH_HID_init

```
int8_t USBH_HID_init ( USBH_device_handle  hHIDDev,  
                      USBH_interface_handle hHIDInterface,  
                      USBH_HID_context *   ctx  
                      )
```

Initialise HID device.

Initialises the instance of the HID device and stores information in the **USBH_HID_context** structure passed from the application. This allows individual instances of the HID device to be accessed independently.

Parameters

- [in] **hHIDDev** Handle of HID device on USB bus.
- [in] **hHIDInterface** Handle of interface on hHIDDev to use for driver. There may be more than one HID interface on a device.
- [out] **ctx** Pointer to HID context.

Returns

Zero if successful, non-zero if not.

2.25.3.2 USBH_HID_get_report_size_in

```
int8_t USBH_HID_get_report_size_in ( USBH_HID_context * ctx )
```

Gets the IN report size for the HID device.

Allows the application to discover the size of reports sent by the HID device.

Parameters

- [in] **ctx** Pointer to HID context.

Returns

Zero if fail, non-zero for report size.

2.25.3.3 USBH_HID_get_report_size_out

```
int8_t USBH_HID_get_report_size_out ( USBH_HID_context * ctx )
```

Gets the OUT report size for the HID device.

Allows the application to discover the size of reports to send to the HID device.

Parameters

- [in] **ctx** Pointer to HID context.
-

Returns

Zero if fail, non-zero for report size.

2.25.3.4 USBH_HID_set_idle

```
int8_t USBH_HID_set_idle ( USBH_HID_context * ctx,
                          uint16_t          idle
                          )
```

Send a SET IDLE request to the HID device.

Forms and sends a SET IDLE request to the control endpoint of the HID device. The interface number of the HID interface is included to tell the device which of possible multiple interfaces to idle.

Parameters

[in] **ctx** Pointer to HID context.

[in] **idle** Timeout for idle, zero is infinite.

Returns

Zero if successful, non-zero if not.

2.25.3.5 USBH_HID_get_report

```
int8_t USBH_HID_get_report ( USBH_HID_context * ctx,
                             uint8_t *        buffer
                             )
```

Gets an IN report from the HID device.

Returns a report from the device's IN endpoint into the buffer pointed to in the parameters. The buffer must be large enough for the number of bytes returned in **USBH_HID_get_report_size_in()**

Parameters

[in] **ctx** Pointer to HID context.

[out] **buffer** Buffer to receive data.

Returns

Zero if successful, non-zero if not.

2.25.3.6 *USBH_HID_set_report*

```
int8_t USBH_HID_set_report ( USBH_HID_context * ctx,  
                             uint8_t *      buffer  
                             )
```

Sends an OUT report to the HID device.

Transmits a report to the device's OUT endpoint from the buffer pointed to in the parameters. The buffer must contain at least the number of bytes returned in **USBH_HID_get_report_size_out()**

Parameters

[in] **ctx** Pointer to HID context.

[out] **buffer** Buffer providing data.

Returns

Zero if successful, non-zero if not.

2.26 BOMS Devices on USB Host Stack API

The file **ft900_usbh_boms.h** contains the definitions for the USB host BOMS functions in the libft900.a library.

API functions for USB Host BOMS devices. These functions provide functionality required to communicate with a BOMS device through the USB Host interface.

Please refer to the documentation produced by the USB-IF covering BOMS devices including the Mass Storage Bulk Only 1.0 specification.

2.26.1 API Cross Reference

It utilises the following library APIs:

ft900_delay.h – Delay

ft900_usbh.h – USB host

ft900_usbhx.h – USB host extensions

Additional definitions are taken from:

ft900_usb.h – General USB definitions

ft900_usb_boms.h –USB BOMS definitions

2.26.2 Macro Definition Documentation

2.26.2.1 Block Size

```
#define USBH_BOMS_BLOCK_SIZE 512
```

Defines the size of a sector on the BOMS device used by this library. This can be 512 bytes or 2 kB according to the Bulk Only Mass Storage specification. Only 512 byte sectors have been tested.

2.26.2.2 Library Return Codes

```
#define USBH_BOMS_OK 0
```

Success for BOMS function.

```
#define USBH_BOMS_ERR_PARAMETER -1
```

Parameter error in call to BOMS function.

```
#define USBH_BOMS_ERR_CLASS_NOT_SUPPORTED -2
```

Device class not supported.

```
#define USBH_BOMS_ERR_SCSI -3
```

USB error received during SCSI commands.

```
#define USBH_BOMS_ERR_STATUS -5
```

Error received during status phase.

```
#define USBH_BOMS_ERR_CLASS -6
```

BOMS class error during function.

```
#define USBH_BOMS_ERR_LUN -7
```

Requested LUN is not available.

```
#define USBH_BOMS_ERR_CAPACITY_TIMEOUT -8
```


SCSI Get Capacity request timed out.

2.26.3 Structure Documentation

2.26.3.1 USBH_BOMS_context

BOMS device context.

Holds a context structure required by each instance of the driver.

Data Fields

USBH_device_handle	hBomsDevice
USBH_interface_handle	hBomsInterface
uint8_t	bomsInterfaceNumber
USBH_endpoint_handle	hBomsEpln
USBH_endpoint_handle	hBomsEpOut
uint8_t	maxLun
uint8_t	lun
uint32_t	lba_count
uint16_t	lba_size
uint16_t	vid
uint16_t	pid
uint8_t	vendorId [8]
uint8_t	productId [16]
uint8_t	rev [4]
uint32_t	tag

Field Documentation

hBomsDevice

USB host device handle for BOMS device.

hBomsInterface

USB host interface handle for BOMS device.

bomsInterfaceNumber

Interface number for BOMS device.

hBomsEpln

Handle for IN endpoint used by BOMS device.

hBomsEpOut

Handle for OUT endpoint used by BOMS device.

maxLun

Maximum LUN supported on this BOMS device.

lun

Current LUN in use.

`lba_count`

Logical block count (number of sectors on device).

`lba_size`

Size of logical blocks (sector size).

`vid`

VID of BOMS device.

`pid`

PID of BOMS device.

`vendorId`

String containing Vendor Name of BOMS device (may not be NULL terminated).

`productId`

String containing Product Name of BOMS device (may not be NULL terminated).

`rev`

Device specific revision information.

`tag`

Library Internal Use Tag.

2.26.4 Function Documentation

2.26.4.1 *USBH_BOMS_init*

```
int8_t USBH_BOMS_init ( USBH_interface_handle hBomsInterface,  
                        uint8_t lun,  
                        USBH_BOMS_context * ctx  
                        )
```

Initialise the BOMS driver.

Setup a context for the BOMS driver to use the interfaces and settings provided in the call.

Parameters

hBomsInterface - handle to the BOMS interface.

lun - Logical Unit Number on device to use.

ctx - Structure instantiated in the application to hold the context information for this instance of the driver.

Returns

USBH_BOMS_OK if successful

2.26.4.2 USBH_BOMS_get_max_lun

```
int8_t USBH_BOMS_get_max_lun ( USBH_BOMS_context * ctx,  
                               uint8_t *          maxLun  
                               )
```

Gets the number of LUNs on the BOMS device.

Queries the device to find the number of Logical Units on the device.

Parameters

ctx - Driver context.

maxLun - The number of the highest numbered LUN on the device.

Returns

USBH_BOMS_OK if successful

2.26.4.3 USBH_BOMS_reset

```
int8_t USBH_BOMS_reset ( USBH_BOMS_context * ctx )
```

Reset the BOMS device.

Performs a BOMS device reset operation.

Parameters

ctx - Driver context.

Returns

USBH_BOMS_OK if successful

2.26.4.4 USBH_BOMS_read

```
int8_t USBH_BOMS_read ( USBH_BOMS_context * ctx,  
                       uint32_t          lba,  
                       uint32_t          len,  
                       uint8_t *        buffer  
                       )
```

Read sectors from the BOMS device.

Read one or more sectors from the device. This blocks until the required amount of data is read.

Parameters

ctx - Driver context.

lba - Logical Block Address (sector number) to commence read.

len - Number of bytes to read. This must be a multiple of the sector size.

buffer - Memory to receive data from on-disk sectors.

Returns

USBH_BOMS_OK if successful

USBH_BOMS_ERR_PARAMETER length is not a multiple of the sector size.

USBH_BOMS_ERR_SCSI if a SCSI (protocol error) occurred.
USBH_BOMS_ERR_STATUS the device returned a status error.

2.26.4.5 USBH_BOMS_write

```
int8_t USBH_BOMS_write ( USBH_BOMS_context * ctx,
                        uint32_t          lba,
                        uint32_t          len,
                        uint8_t *         buffer
                        )
```

Write sectors to the BOMS device.

Write one or more sectors to the device. This blocks until the required amount of data is written.

Parameters

- ctx** - Driver context.
- lba** - Logical Block Address (sector number) to commence write.
- len** - Number of bytes to write. This must be a multiple of the sector size.
- buffer** - Memory to source data from.

Returns

USBH_BOMS_OK if successful
USBH_BOMS_ERR_PARAMETER length is not a multiple of the sector size.
USBH_BOMS_ERR_SCSI if a SCSI (protocol error) occurred.
USBH_BOMS_ERR_STATUS the device returned a status error.

2.26.4.6 USBH_BOMS_mult_read_start

```
int8_t USBH_BOMS_mult_read_start ( USBH_BOMS_context * ctx,
                                   uint32_t          lba,
                                   uint32_t          len
                                   )
```

Commence multiple sector reads from the BOMS device.

Start a read of multiple sectors from the device. The function does not block allowing data to be processed as it is read. This allows large amounts of data to be streamed from the device without using large amounts of memory to hold the data for processing.

The **USBH_BOMS_mult_read_data()** function is used to perform the read – which must take exactly the number of bytes requested – before the **USBH_BOMS_mult_end()** function completes the read. There must be no other BOMS operations while a multiple sector read operation is in process.

Parameters

- ctx** - Driver context.
- Lba** - Logical Block Address (sector number) to commence read.
- Len** - Number of bytes to read. This must be a multiple of the sector size.

Returns

USBH_BOMS_OK if successful
USBH_BOMS_ERR_PARAMETER length is not a multiple of the sector size.

2.26.4.7 USBH_BOMS_mult_write_start

```
int8_t USBH_BOMS_mult_write_start ( USBH_BOMS_context * ctx,
                                   uint32_t          lba,
                                   uint32_t          len
                                   )
```

Commence multiple sector writes to the BOMS device.

Start a write of multiple sectors to the device. The function does not block allowing data to be generated as it is written. This allows large amounts of data to be streamed to the device without using large amounts of memory to hold the data after generating it.

The **USBH_BOMS_mult_write_data()** function is used to perform the write – which must receive exactly the number of bytes requested – before the **USBH_BOMS_mult_end()** function completes the write. There must be no other BOMS operations while a multiple sector write operation is in process.

Parameters

ctx - Driver context.

Lba - Logical Block Address (sector number) to commence write.

Len - Number of bytes to write. This must be a multiple of the sector size.

Returns

USBH_BOMS_OK if successful
USBH_BOMS_ERR_PARAMETER length is not a multiple of the sector size.

2.26.4.8 USBH_BOMS_mult_read_data

```
int8_t USBH_BOMS_mult_read_data ( USBH_BOMS_context * ctx,
                                   uint32_t          len,
                                   uint8_t *         buffer
                                   )
```

Read sectors from the BOMS device during a multiple sector read.

Reads one or more sectors from a device after a multiple sector read has been started with the **USBH_BOMS_mult_read_start()** function.

Parameters

ctx - Driver context.

Len - Number of bytes to read. This must be a multiple of the sector size.

Buffer - Memory to receive data.

Returns

USBH_BOMS_OK if successful
USBH_BOMS_ERR_PARAMETER length is not a multiple of the sector size.

USBH_BOMS_ERR_SCSI if a SCSI (protocol error) occurred.
USBH_BOMS_ERR_STATUS the device returned a status error.

2.26.4.9 USBH_BOMS_mult_write_data

```
int8_t USBH_BOMS_mult_write_data ( USBH_BOMS_context * ctx,  
                                   uint32_t          len,  
                                   uint8_t *         buffer  
                                   )
```

Write sectors to the BOMS device during a multiple sector write.

Writes one or more sectors to a device after a multiple sector write has been started with the **USBH_BOMS_mult_write_start()** function.

Parameters

ctx - Driver context.

Len - Number of bytes to write. This must be a multiple of the sector size.

Buffer - Memory to source data from.

Returns

USBH_BOMS_OK if successful

USBH_BOMS_ERR_PARAMETER length is not a multiple of the sector size.

USBH_BOMS_ERR_SCSI if a SCSI (protocol error) occurred.

USBH_BOMS_ERR_STATUS the device returned a status error.

2.26.4.10 USBH_BOMS_mult_end

```
int8_t USBH_BOMS_mult_end ( USBH_BOMS_context * ctx )
```

Complete a multiple sector write or read.

Finishes a multiple sector write or read and checks the status.

Parameters

ctx - Driver context.

Returns

USBH_BOMS_OK if successful

USBH_BOMS_ERR_SCSI if a SCSI (protocol error) occurred.

USBH_BOMS_ERR_STATUS the device returned a status error.

2.26.4.11 USBH_BOMS_status

```
int8_t USBH_BOMS_status ( USBH_BOMS_context * ctx )
```

Get the device SCSI status.

Performs a SCSI Sense operation to retrieve the status of the BOMS device.

Parameters

ctx - Driver context.

Returns

USBH_BOMS_OK if successful

USBH_BOMS_ERR_SCSI if a SCSI (protocol error) occurred.

USBH_BOMS_ERR_STATUS the device returned a status error.

2.27 CDC ACM Devices on USB Host Stack API

The file **ft900_usbh_cdcacm.h** contains the definitions for the USB host CDC ACM functions in the libft900.a library.

API functions for USB Host stack. These functions provide additional functionality useful to implement a USB Host application.

Please refer to the documentation produced by the USB-IF covering CDC devices including the Class Definitions for Communications Devices 1.2.API Cross Reference.

It utilises the following library APIs:

ft900_usbh.h – USB host

ft900_usbhx.h – USB host extensions

Additional definitions are taken from:

ft900_usb.h – General USB definitions

ft900_usb_cdc.h –USB CDC definitions

2.27.1 Macro Definition Documentation

2.27.1.1 Feature Configuration

```
#define CDCACM_FLAG_NO_NOTIFICATION 1
```

Do not expect or poll the notification endpoint in the Communication Class Interface.

```
#define CDCACM_IN_BUFFER 512
```

Size of internal receive circular buffer for CDC DATA interface.

```
#define CDCACM_IN_MAX_PACKET 512
```

Maximum packet size of data which may be received. On High Speed devices this can be 512 bytes, on Full Speed this will be 64 bytes. The larger size will support both Full and High Speed devices.

```
#define CDCACM_NOTIFICATION_BUFFER 12
```

Size of internal buffer used to hold notifications from the CDC CONTROL interface.

2.27.1.2 Library Return Codes

```
#define USBH_CDCACM_OK 0
```

Success for CDC function.

```
#define USBH_CDCACM_ERR_PARAMETER -1
```

Parameter error in call to CDC function.

```
#define USBH_CDCACM_ERR_CLASS_NOT_SUPPORTED -2
```

Device class not supported.

```
#define USBH_CDCACM_ERR_CLASS -3
```

Class request not supported.

```
#define USBH_CDCACM_ERR_DATA_ENDPOINT -5
```

Data Endpoints not found or polling failed.

```
#define USBH_CDCACM_ERR_FUNCTIONAL_DESCRIPTOR -6
```

Function descriptor not found.

```
#define USBH_CDCACM_ERR_USB -7
```

Unexpected USB error occurred.

2.27.2 Structure Documentation

2.27.2.1 USBH_CDCACM_context

CDC ACM device context.

Holds a context structure required by each instance of the driver.

Data Fields

USBH_device_handle	hControlDevice
USBH_interface_handle	hControlInterface
USBH_interface_handle	hDataInterface
USBH_endpoint_handle	hControlEpIn
USBH_endpoint_handle	hDataEpIn
USBH_endpoint_handle	hDataEpOut
uint8_t	controlInterfaceNumber
uint8_t	dataInterfaceNumber
uint8_t	callCapabilities
uint8_t	acmCapabilities
USB_CDC_UartStateBitmap	uartState
USB_CDC_UartStateBitmap	networkState
int8_t	responseAvailable
int8_t	notificationStatus
uint32_t	notificationBuffer [CDCACM_NOTIFICATION_BUFFER/ sizeof(uint32_t)]
int8_t	recvStatus
uint32_t	recvPacket [CDCACM_IN_MAX_PACKET/ sizeof(uint32_t)]
uint8_t	recvBuffer [CDCACM_IN_BUFFER]
volatile uint16_t	recvBufferWrite
volatile uint16_t	recvBufferRead
volatile uint16_t	recvBufferAvail

Field Documentation

hControlDevice

USB host device handle to the CDC device. There may be multiple CDC interfaces on the same devices.

hControlInterface

USB host interface handle for CDC CONTROL interface.

hDataInterface

USB host interface handle for CDC DATA interface.

hControlEpln

USB host endpoint handle for CDC CONTROL endpoint.

hDataEpln

USB host endpoint handle for CDC DATA interface IN endpoint.

hDataEpOut

USB host endpoint handle for CDC DATA interface OUT endpoint.

controlInterfaceNumber

Interface number for CDC CONTROL interface. These are used in SETUP requests to identify the correct interface.

dataInterfaceNumber

Interface number for CDC DATA interface. These are used in SETUP requests to identify the correct interface.

callCapabilities

Call Management capabilities. Bitmap from Call Management Functional descriptor indicating the method for managing calls on the device.

acmCapabilities

Abstract Control Management capabilities. Bitmap from Abstract Control Management Functional descriptor indicating support for Comm, Line Coding, Break and Network features.

uartState

Notification bitmap for the UART state received from device.

networkState

Notification bitmap for the network state received from device.

responseAvailable

Response available notification flag indicating that an encapsulated response can be read from the interface.

notificationStatus

Last status of CDC CONTROL notification poll from USB Host driver.

notificationBuffer

Buffer to receive notification structure from USB Host driver. This must be of type `uint32_t` to follow alignment requirements of data buffers in USB Host driver.

recvStatus

Last status of CDC DATA IN endpoint poll from USB Host driver.

recvPacket

Buffer to receive data from the USB Host driver. This is exactly one MaxPacket size buffer. It must be of type `uint32_t` to follow alignment requirements of data buffers in USB Host driver.

Note: can be of type `uint8_t` if it is qualified with: `__attribute__((aligned(4)))`.

recvBuffer

Circular buffer used to group packet data from the USB Host. This does not have any alignment issues.

recvBufferWrite

Write pointer for circular buffer (internal use).

recvBufferRead

Read pointer for circular buffer (internal use).

recvBufferAvail

Available space counters for circular buffer (internal use).

2.27.3 Function Documentation

2.27.3.1 USBH_CDCACM_init

```
int8_t USBH_CDCACM_init ( USBH_interface_handle    hControlInterface,  
                          uint8_t                flags,  
                          USBH_CDCACM_context *  ctx  
                          )
```

Initialise the CDC ACM driver.

Setup a context for the CDC driver to use the interfaces and settings provided in the call.

Parameters

hControlInterface - handle to the CDC CONTROL interface.

Flags - CDCACM_FLAG_NO_NOTIFICATION to not poll notification endpoint.

Ctx - Structure instantiated in the application to hold the context information for this instance of the driver.

Returns

USBH_CDCACM_OK if successful

2.27.3.2 USBH_CDCACM_read

```
int32_t USBH_CDCACM_read ( USBH_CDCACM_context *  ctx,  
                           uint8_t *             buffer,  
                           size_t                len  
                           )
```

Read data from the CDC ACM device.

Read a block of data from the CDC device DATA interface. The data is buffered internally in the driver as it is produced by the CDC device and polled by the USB host. The buffer is designed to discard incoming data if the internal buffer fills. Care must therefore be taken to ensure an adequate consumption rate of data from the CDC device.

Parameters

ctx - Context information for this instance of the driver.

Buffer - receiving buffer.

Len - Maximum length of data to read.

Returns

Number of bytes transferred to the receiving buffer. This may be less than the amount requested if insufficient data has been received from the CDC device. A negative value will represent an error on the USB host.

2.27.3.3 USBH_CDCACM_write

```
int32_t USBH_CDCACM_write ( USBH_CDCACM_context * ctx,  
                           uint8_t *          buffer,  
                           size_t           len  
                           )
```

Write data to the CDC ACM device.

Write a block of data to the CDC device DATA interface. Data is written immediately to the device without buffering.

Parameters

ctx - Context information for this instance of the driver.

Buffer - Transmission buffer.

Len - Maximum length of data to write.

Returns

Number of bytes transferred from the transmission buffer to the device. A negative value will represent an error on the USB host.

2.27.3.4 USBH_CDCACM_get_poll_status

```
void USBH_CDCACM_get_poll_status ( USBH_CDCACM_context * ctx,
                                   int8_t * notification_status,
                                   int8_t * data_status
                                   )
```

Returns the last USB Host statuses for endpoint polling.

Each time an endpoint is polled the status is stored. Both the notification endpoint and the data IN endpoint values are stored and can be queried by this function.

Parameters

- ctx** - Context information for this instance of the driver.
- Notification_status** - Pointer to receive status of notification endpoint polling.
- Data_status** - Pointer to receive status of data endpoint polling.

Returns

N/A.

2.27.3.5 USBH_CDCACM_set_comm_feature

```
int8_t USBH_CDCACM_set_comm_feature ( USBH_CDCACM_context * ctx,
                                       uint16_t selector,
                                       uint16_t feature
                                       )
```

Set Comm Features on the device.

The selector parameter is used to select between the abstract state and country setting data.

Parameters

- ctx** - Context information for this instance of the driver.
- Selector** - Abstract State or Country Setting:
CDC_ACM_FEATURE_SELECTOR_ABSTRACT_STATE,
CDC_ACM_FEATURE_SELECTOR_COUNTRY_SETTING.
- Feature** - Bitmap to set the abstract state bitmap or country setting code.

Returns

USBH_CDCACM_OK – if the interface supports the COMM Feature requests.
USBH_CDCACM_ERR_CLASS – if it does not support it.

2.27.3.6 USBH_CDCACM_clear_comm_feature

```
int8_t USBH_CDCACM_clear_comm_feature ( USBH_CDCACM_context * ctx,
                                         uint16_t selector
                                         )
```

Clear the Comm Features on the device.

The selector parameter is used to select between the abstract state and country setting data.

Parameters

ctx - Context information for this instance of the driver.

Selector - Abstract State or Country Setting:
CDC_ACM_FEATURE_SELECTOR_ABSTRACT_STATE,
CDC_ACM_FEATURE_SELECTOR_COUNTRY_SETTING.

Returns

USBH_CDCACM_OK – if the interface supports the COMM Feature requests.
USBH_CDCACM_ERR_CLASS – if it does not support it.

2.27.3.7 USBH_CDCACM_get_acm_capabilities

```
int8_t USBH_CDCACM_get_acm_capabilities ( USBH_CDCACM_context * ctx )
```

Returns the ACM Capabilities bitmap.

Returns the bmCapabilities value obtained from the Abstract Control Management Functional Descriptor for the CDC ACM interface.

Parameters

ctx - Context information for this instance of the driver.

Returns

Values are defined as CDC_ACM_CAPABILITIES_*

2.27.3.8 USBH_CDCACM_get_call_capabilities

```
int8_t USBH_CDCACM_get_call_capabilities ( USBH_CDCACM_context * ctx )
```

Returns the Call Capabilities bitmap.

Returns the bmCapabilities value obtained from the Call Management Functional Descriptor for the CDC ACM interface.

Parameters

ctx - Context information for this instance of the driver.

Returns

Values are defined as CDC_CM_CAPABILITIES_*

2.27.3.9 USBH_CDCACM_get_comm_feature

```
int8_t USBH_CDCACM_get_comm_feature ( USBH_CDCACM_context * ctx,  
                                     uint16_t selector,  
                                     uint16_t * feature  
                                     )
```

Get a bitmap containing the currently set Comm Features.

The selector parameter is used to select between the abstract state and country setting data.

Parameters

ctx - Context information for this instance of the driver.

Selector - Abstract State or Country Setting:
CDC_ACM_FEATURE_SELECTOR_ABSTRACT_STATE,
CDC_ACM_FEATURE_SELECTOR_COUNTRY_SETTING.

Feature - Bitmap to receive abstract state bitmap or country setting code.

Returns

USBH_CDCACM_OK – if the interface supports the COMM Feature requests.
USBH_CDCACM_ERR_CLASS – if it does not support it.

2.27.3.10 USBH_CDCACM_get_encapsulated_response

```
int8_t USBH_CDCACM_get_encapsulated_response ( USBH_CDCACM_context * ctx,  
                                              char *                               rsp,  
                                              uint16_t                              len  
                                              )
```

Read an encapsulated command response from the CDC ACM device.

Read a block of data from the CDC device control interface. Data is read immediately to the device without buffering.

Parameters

ctx - Context information for this instance of the driver.

Rsp - receive buffer for receiving response.

Len - Maximum length of data to receive.

Returns

Number of bytes transferred from the device to the receive buffer.

2.27.3.11 USBH_CDCACM_get_line_coding

```
int8_t USBH_CDCACM_get_line_coding ( USBH_CDCACM_context * ctx,  
                                     USB_CDC_line_coding * coding  
                                     )
```

Get Current Line Coding settings from the device.

The **USB_CDC_line_coding** structure describes the data output format on the 'UART' side of the CDC device. This will query the settings and return them in the structure.

Parameters

ctx - Context information for this instance of the driver.

Coding - Pointer to structure containing the currently set parameters for formatting data.

Returns

USBH_CDCACM_OK – if the interface supports the Line Coding Feature requests.
USBH_CDCACM_ERR_CLASS – if it does not support it.

2.27.3.12 USBH_CDCACM_set_line_coding

```
int8_t USBH_CDCACM_set_line_coding ( USBH_CDCACM_context * ctx,  
                                     USB_CDC_line_coding * coding  
                                     )
```

Set Line Coding on the device.

The **USB_CDC_line_coding** structure is used to set the data output format on the CDC device. This is on the 'UART' side of the device.

Parameters

ctx - Context information for this instance of the driver.

Coding - Pointer to structure containing the requested parameters for formatting data.

Returns

USBH_CDCACM_OK – if the interface supports the Line Coding Feature requests.

USBH_CDCACM_ERR_CLASS – if it does not support it.

2.27.3.13 USBH_CDCACM_get_network_connection

```
uint8_t USBH_CDCACM_get_network_connection ( USBH_CDCACM_context * ctx,  
                                             USB_CDC_NetworkConnectionBitmap * state  
                                             )
```

Returns the Network state bitmap.

When a notification arrives updating the Network state this is kept in the driver and can be queried by this command.

Parameters

ctx - Context information for this instance of the driver.

State - Pointer to structure to receive last received state.

Returns

USBH_CDCACM_OK – if the interface supports the Network_Connection notification.

USBH_CDCACM_ERR_CLASS – if it does not support it.

2.27.3.14 USBH_CDCACM_get_uart_state

```
uint8_t USBH_CDCACM_get_uart_state ( USBH_CDCACM_context * ctx,  
                                     USB_CDC_UartStateBitmap * state  
                                     )
```

Returns the UART state bitmap.

When a notification arrives updating the UART state this is kept in the driver and can be queried by this command.

Parameters

ctx - Context information for this instance of the driver.

State - Pointer to structure to receive last received state.

Returns

USBH_CDCACM_OK – if the interface supports the Serial_State notification.

USBH_CDCACM_ERR_CLASS – if it does not support it.

2.27.3.15 USBH_CDCACM_set_control_line_state

```
int8_t USBH_CDCACM_set_control_line_state ( USBH_CDCACM_context * ctx,
```

```
USB_CDC_control_line_state * state  
)
```

Set Control Line State on the device.

The **USB_CDC_control_line_state** structure is used to set the state of the control lines on the CDC device. This is on the 'UART' side of the device.

Parameters

ctx - Context information for this instance of the driver.

State - Pointer to structure containing the requested state for the control lines.

Returns

USBH_CDCACM_OK – if the interface supports the Line Coding Feature requests.

USBH_CDCACM_ERR_CLASS – if it does not support it.

2.27.3.16 *USBH_CDCACM_get_response_available*

```
int8_t USBH_CDCACM_get_response_available ( USBH_CDCACM_context * ctx )
```

Indicates the response to an encapsulated command is waiting.

When a notification arrives indicating that a response to a encapsulated command is waiting to be read this is kept in the driver and can be queried by this command.

Parameters

ctx - Context information for this instance of the driver.

Returns

Non-zero if a encapsulated response is available.

2.27.3.17 *USBH_CDCACM_send_encapsulated_command*

```
int8_t USBH_CDCACM_send_encapsulated_command ( USBH_CDCACM_context * ctx,  
                                              char * cmd,  
                                              uint16_t len  
                                              )
```

Send an encapsulated command to the CDC ACM device.

Write a block of data to the CDC device control interface. Data is written immediately to the device without buffering.

Parameters

ctx - Context information for this instance of the driver.

Cmd - Transmission buffer containing command.

Len - Maximum length of data to write.

Returns

Number of bytes transferred from the transmission buffer to the device.

2.27.3.18 *USBH_CDCACM_send_break*

```
int8_t USBH_CDCACM_send_break ( USBH_CDCACM_context * ctx,
```

```
uint16_t duration  
)
```

Instructs the device to set a break state on the UART line.

Parameters

ctx - Context information for this instance of the driver.

Duration - Length of time in milliseconds to set the break state.

Returns

USBH_CDCACM_OK - if the interface supports the Send_Break request.

USBH_CDCACM_ERR_CLASS - if it does not support it.

2.28 Android Open Accessory (AOA) Devices on USB Host Stack API

The file **ft900_usbh_aoa.h** contains the definitions for the USB host AOA functions in the libft900.a library.

Please refer to the Android AOA Documentation at: <https://source.android.com/devices/accessories/aoa2.html> for more details on AOA features and protocol.

2.28.1 API Cross Reference

It utilizes the following libraries:

ft900_usbh.h – USB host

ft900_usbhx.h – USB host extensions

Additional definitions are taken from:

ft900_usb.h – General USB definitions

ft900_usb_aoa.h – AOA definitions

2.28.2 Macro Definition Documentation

2.28.2.1 Library Return Codes

```
#define USBH_AOA_OK 0
```

Success for AOA function.

```
#define USBH_AOA_DETECTED 1
```

AOA device detected in accessory mode. Device is ready to use.

```
#define USBH_AOA_STARTED 2
```

AOA device detected in accessory mode. Device has been restarted and need re-enumerated.

```
#define USBH_AOA_ERR_PARAMETER -1
```

Parameter error in call to AOA function.

```
#define USBH_AOA_ERR_CLASS_NOT_SUPPORTED -2
```

Device class not supported.

```
#define USBH_AOA_ERR_CLASS -3
```

Class request not supported.

```
#define USBH_AOA_ERR_PROTOCOL -4
```

AOA Protocol not supported.

```
#define USBH_AOA_ERR_CONFIG -5
```

AOA Protocol configuration error.

```
#define USBH_AOA_ERR_ENDPOINT -6
```

Data Endpoints not found or polling failed.

```
#define USBH_AOA_ERR_USB -7
```

Unexpected USB error occurred.

2.28.3 Structure Documentation

2.28.3.1 USBH_AOA_context

AOA device context.

Holds a context structure required by each instance of the driver.

Data Fields

USBH_device_handle	hDevAccessory
uint16_t	vid
uint16_t	pid
USBH_interface_handle	hAccessoryInterface
USBH_endpoint_handle	hAccessoryEpIn
USBH_endpoint_handle	hAccessoryEpOut
USBH_interface_handle	hAdbInterface
USBH_endpoint_handle	hAdbEpIn
USBH_endpoint_handle	hAdbEpOut
USBH_interface_handle	hAudioInterface
USBH_endpoint_handle	hAudioEp
uint16_t	maxIsoSize
uint16_t	protocol
uint16_t	HIDDescriptorSize

Field Documentation

hDevAccessory

Handle to the AOA device.

Vid, pid

VID and PID of device when in accessory mode

hAccessoryInterface

Interface handle for AOA general interface.

hAccessoryEpIn

Endpoint handles for the AOA general interface.

hAdbInterface

Interface handle for AOA adb interface

hAdbEpIn, hAdbEpOut

Endpoint handles for the AOA adb interface.

hAudioInterface

Interface handle for AOA audio interface.

hAudioEp

Audio device endpoint handle.

maxIsoSize

Maximum packet size of audio isochronous endpoint.

Protocol

Android Open Accessory Protocol version.

HIDDescriptorSize

Size of HID descriptor.

2.28.4 Function Documentation

2.28.4.1 USBH_AOA_init

```
int8_t USBH_AOA_init ( USBH_interface_handle  hAOAInterface,  
                      USBH_AOA_context      *ctx,  
                      USBH_AOA_descriptors * descriptors,  
                      int16_t                audio  
                      )
```

Initialise the AOA driver.

The sequence for connecting to AOA devices is:

- 1) Check AOA protocol is valid. This means that the special vendor SETUP command works and the return value is non-zero and matches a protocol version supported by the driver.
- 2) Send string descriptors to the AOA device using the vendor SETUP commands. Then send a start accessory device vendor SETUP command.
- 3) The device re-enumerates by doing a device reset.
- 4) The host re-enumerates the device as an Android accessory.

The device will need to be attached using USBH_AOA_attach() once it has been re-enumerated.

Parameters

hAOAInterface - handle to the AOA interface to use.

Descriptors - Pointer to a structure containing string descriptors to send to the AOA device.

Ctx - Structure instantiated in the application to hold the context information for this instance of the driver.

Audio - if the protocol supports audio then send the enable audio command to the accessory to enable the audio interface

Returns

USBH_AOA_STARTED if an Android accessory device in its normal mode was detected. It will have been started as an accessory and will therefore perform a device reset and be re-enumerated.
USBH_AOA_DETECTED if an Android accessory device in accessory mode was detected. This

device can now be attached and used. USBH_AOA_ERR_CLASS_NOT_SUPPORTED if a device which is not an Android accessory was detected.

2.28.4.2 USBH_AOA_attach

```
int8_t USBH_AOA_attach ( USBH_AOA_context *ctx)
```

Attaches to the AOA device.

Connects to the AOA device which is in accessory mode. It will decode the AOA protocol, VID and the PID to determine support for accessories, adb bridge and audio. Endpoints and size information is stored for use by the driver later.

Parameters

ctx - context of AOA device to use.

Returns

USBH_AOA_OK if successful

USBH_AOA_ERR_CONFIG if a device reporting to possess a particular interface does not, in fact, present that interface. USBH_AOA_ERR_CLASS_NOT_SUPPORTED if a device which is not an Android accessory was detected.

2.28.4.3 USBH_AOA_detach

```
int8_t USBH_AOA_detach ( USBH_AOA_context *ctx)
```

Detaches from the AOA device.

Parameters

ctx - context of AOA device to use.

Returns

USBH_AOA_OK if successful

2.28.4.4 USBH_AOA_get_protocol

```
int8_t USBH_AOA_detach ( USBH_AOA_context *ctx)
```

Detaches from the AOA device.

Parameters

ctx - Context of AOA device to use.

Protocol - pointer to BCD protocol revision

Returns

This will return a positive value if the device supports the accessory class. Zero if it does not. Negative if there was an error.

2.28.4.5 USBH_AOA_has_accessory

```
int8_t USBH_AOA_has_accessory ( USBH_AOA_context *ctx)
```

AOA device supports accessories.

Parameters

ctx - Context of AOA device to use.

Returns

This will return a positive value if the device supports the accessory class. Zero if it does not. Negative if there was an error.

2.28.4.6 USBH_AOA_has_audio

```
int8_t USBH_AOA_has_audio ( USBH_AOA_context *ctx)
```

AOA device supports audio.

Parameters

ctx - Context of AOA device to use.

Returns

This will return a positive value if the device supports the audio class. Zero if it does not. Negative if there was an error.

2.28.4.7 USBH_AOA_has_adb

```
int8_t USBH_AOA_has_adb ( USBH_AOA_context *ctx)
```

AOA device supports adb.

Parameters

ctx - Context of AOA device to use.

Returns

This will return a positive value if the device supports the adb class. Zero if it does not. Negative if there was an error.

2.28.4.8 USBH_AOA_get_audio_endpoint

```
int8_t USBH_AOA_get_audio_endpoint ( USBH_AOA_context *ctx,  
                                     USBH_endpoint_handle *hAudio,  
                                     uint16_t *maxSize  
                                     )
```

Gets a handle to the audio endpoint. If the AOA device supports it then the audio isochronous endpoint can be obtained with this call.

Parameters

ctx - Context of AOA device to use.

hAudio - Pointer to handle to receive audio endpoint.

maxSize - Max size of the audio endpoint

Returns

USBH_AOA_OK if successful.

2.28.4.9 USBH_AOA_register_hid

```
int8_t USBH_AOA_register_hid ( USBH_AOA_context *ctx,  
                               uint16_t hidID,  
                               uint16_t descriptorSize
```


)

Register a new HID device.

Parameters

ctx - Context of AOA device to use.

hidID - ID of new HID device

descriptorSize - Number of bytes in HID's report descriptor. This is sent separately as it can be changed.

Returns

USBH_AOA_OK if successful.

2.28.4.10 USBH_AOA_unregister_hid

```
int8_t USBH_AOA_unregister_hid ( USBH_AOA_context *ctx,  
                                uint16_t          hidID  
                                )
```

Unregister a HID device.

Parameters

ctx - Context of AOA device to use.

hidID - ID of previously registered HID device

Returns

USBH_AOA_OK if successful.

2.28.4.11 USBH_AOA_set_hid_report_descriptor

```
int8_t USBH_AOA_set_hid_report_descriptor ( USBH_AOA_context *ctx,  
                                            uint16_t          hidID,  
                                            uint16_t          descriptorOffset,  
                                            uint16_t          descriptorLength,  
                                            uint8_t *         descriptor  
                                            )
```

Set the HID descriptor for a HID device.

Parameters

ctx - Context of AOA device to use.

hidID - ID of previously registered HID device

descriptorOffset - used when the HID descriptor is sent in multiple packets. This is the offset to the position in the descriptor where this fragment goes.

descriptorLength - Length of this section of HID descriptor. If the HID descriptor is sent in one packet then this will be the same as the length set in descriptorSize parameter of USBH_AOA_register_hid. If the descriptor

is made up of multiple packets then the length will be smaller.

Descriptor - HID descriptor.

2.28.4.12 **USBH_AOA_send_hid_data**

```
int8_t USBH_AOA_send_hid_data ( USBH_AOA_context *ctx,
                                uint16_t          hidID,
                                uint16_t          reportSize,
                                uint8_t*         data,
                                )
```

Send a report descriptor to the AOA device.

Parameters

- ctx** - Context of AOA device to use.
- hidID** - ID of previously registered HID device
- reportSize** - Number of bytes in HID's report.
- Data** - Report data.

2.29 FT devices on USB host stack API (ft900_usbh_ft.h)

The file ft900_usbh_ft.h contain the API functions for enumerating FT devices on USB Host stack. These functions provide additional functionality useful to implement a USB Host application.

2.29.1 API Cross Reference

It utilizes the following libraries:

ft900_usbh.h - USB host

2.29.2 Structure Documentation

2.29.2.1 USBH_FT232_context

Holds a context structure required by each instance of the FT232 driver.

USBH_device_handle hDevice Handle to the FT232 device. There may be multiple FT232 interfaces on the same devices.

USBH_interface_handle hDataInterface Interface handles for FT232 DATA interface

USBH_endpoint_handle hDataEpIn IN Endpoint handle for the FT232 DATA interfaces.

USBH_endpoint_handle hDataEpOut OUT Endpoint handle for the FT232 DATA interfaces.

uint16_t bcdDev bcdDevice from the Device Descriptor. Used to work out the type of FT232 device we are connected to.

uint8_t dataInterfaceNumber Interface number for data interface. These are used in SETUP requests to identify the correct interface.

<i>int8_t</i> recvStatus	Last status of FT232 DATA IN endpoint poll from USB Host driver
<i>uint32_t</i> recvPacket	Buffer to receive data from USB Host driver. This is exactly one MaxPacket size buffer. It must be of type <i>uint32_t</i> to follow alignment requirements of data buffers in USB Host driver. Note: can be of type <i>uint8_t</i> if it is qualified with: attribute ((aligned (4)))
<i>uint8_t</i> recvBuffer	Circular buffer used to group packet data from USB Host. This does not have any alignment issues.
<i>uint16_t</i> recvBufferWrite	Read pointers for circular buffer.
<i>uint16_t</i> recvBufferRead	Write pointers for circular buffer.
<i>uint16_t</i> recvBufferAvail	Avail pointers for circular buffer.
<i>uint16_t</i> lastModemStatus	Modem status and line status from the device. The least significant byte of the modemstat parameter holds the modem status. The line status is in the most significant byte.

2.29.3 Functions

2.29.3.1 USBH_FT232_init

int8_t USBH_FT232_init (USBH_interface_handle hInterface, *uint8_t* flags, USBH_FT232_context *ctx)

Initialises the FT232 driver. Setup a context for the FT232 driver to use the interface and settings provided in the call.

Parameters:

USBH_interface_handle hInterface - handle to the FT232 interface to use.

***uint8_t* flags** - None.

USBH_FT232_context * ctx - structure instantiated in the application to hold the context information for this instance of the driver.

Returns:

USBH_FT232_OK if successful

2.29.3.2 USBH_FT232_read

int32_t USBH_FT232_read (USBH_FT232_context *ctx, *uint8_t* *buffer, *size_t* len)

Reads a block of data from the FT232 device DATA interface. The data is buffered internally in the driver as it is produced by the FT232 device and polled by the USB host. The buffer is designed to discard incoming data if the internal buffer fills. Care must therefore be taken to ensure an adequate consumption rate of data from the FT232 device.

Parameters:

USBH_FT232_context * ctx - context information for this instance of the driver.

***uint8_t* * buffer** - receiving buffer.

***size_t* len** - maximum length of data to read.

Returns:

Number of bytes transferred to the receiving buffer. This may be less than the amount requested if insufficient data has been received from the CDC device.

2.29.3.3 USBH_FT232_write

int32_t USBH_FT232_write (USBH_FT232_context *ctx, uint8_t *buffer, size_t len)

Writes a block of data to the CDC device DATA interface. Data is written immediately to the device without buffering.

Parameters:

USBH_FT232_context * ctx - context information for this instance of the driver.
uint8_t * buffer - transmission buffer.
size_t len - maximum length of data to write.

Returns:

Number of bytes transferred from the transmission buffer to the device.

2.29.3.4 USBH_FT232_set_baud_rate

int8_t USBH_FT232_set_baud_rate (USBH_FT232_context *ctx, uint32_t baud)

Sets FT232 Baud Rate. The baud rate is passed as a uint32_t and the routine works out the divisor and sub-integer prescaler required. Refer to:

http://www.ftdichip.com/Support/Documents/AppNotes/AN232B-05_BaudRates.pdf It doesn't check if the baud rate can be calculated within the +/- 3% required to ensure a stable link.

Parameters:

USBH_FT232_context * ctx - context information for this instance of the driver.
uint32_t baud - requested baud rate.

Returns:

USBH_FT232_OK - if the interface supports the COMM Feature requests. USBH_FT232_ERR_CLASS - if it does not support it.

2.29.3.5 USBH_FT232_set_flow_control

int8_t USBH_FT232_set_flow_control (USBH_FT232_context *ctx, uint16_t mode)

Sets FT232 Flow Control. Flow control can be set as CTS/RTS, DTR/DSR or None.

Parameters:

USBH_FT232_context * ctx - context information for this instance of the driver.
uint16_t mode - flow control mode required. Can be zero for none or USB_FT232_SETFLOWCTRL_RTS_CTS or USB_FT232_SETFLOWCTRL_DTR_DSR.

Returns:

USBH_FT232_OK - if the interface supports the COMM Feature requests. USBH_FT232_ERR_CLASS
- if it does not support it.

2.29.3.6 USBH_FT232_set_modem_control

int8_t USBH_FT232_set_modem_control (USBH_FT232_context *ctx, uint16_t mode, uint8_t assert)

Sets FT232 Modem Control. Enable RTS, DTR signals for use with flow control and set their current state.

Parameters:

- USBH_FT232_context * ctx** - context information for this instance of the driver.
- uint16_t mode** - flow control mode USB_FT232_SETFLOWCTRL_RTS_CTS or USB_FT232_SETFLOWCTRL_DTR_DSR
- uint8_t assert** - To set or clear RTS or DTR control signals according to the flow control selected. Value 1 to Set RTS or DTR and Value 0 to clear RTS or DTR.

Returns:

USBH_FT232_OK - if the interface supports the COMM Feature requests. USBH_FT232_ERR_CLASS
- if it does not support it.

2.29.3.7 USBH_FT232_set_data

int8_t USBH_FT232_set_data (USBH_FT232_context *ctx, uint16_t bits, uint16_t parity, uint16_t stop)

Sets FT232 Data Format. Data format sets the number of data bits, stop bits and parity mode used.

Parameters:

- USBH_FT232_context * ctx** - context information for this instance of the driver.
- uint16_t bits** - Can be either USB_FT232_SETDATA_7_BIT or USB_FT232_SETDATA_8_BIT
- uint16_t parity** - Can be one of USB_FT232_SETDATA_NOPAR, USB_FT232_SETDATA_ODDPAR, USB_FT232_SETDATA_EVENPAR, USB_FT232_SETDATA_MARKPAR, USB_FT232_SETDATA_SPACEPAR.
- uint16_t stop** - Number of stop bits. Can be one of USB_FT232_SETDATA_1_STOP or USB_FT232_SETDATA_2_STOP.

Returns:

USBH_FT232_OK - if the interface supports the COMM Feature requests. USBH_FT232_ERR_CLASS
- if it does not support it.

2.29.3.8 USBH_FT232_set_latency

int8_t USBH_FT232_set_latency (USBH_FT232_context *ctx, uint16_t latency)

Sets FT232 Latency Timer. Latency timer can be set from 2 upwards.

Parameters:

USBH_FT232_context * ctx - context information for this instance of the driver.
uint16_t latency - Number of frames between reporting by FT232 device.

Returns:

USBH_FT232_OK - if the interface supports the COMM Feature requests. USBH_FT232_ERR_CLASS
- if it does not support it.

2.29.3.9 USBH_FT232_get_poll_status

void USBH_FT232_get_poll_status (USBH_FT232_context *ctx, int8_t *data_status)

Returns the last USB Host statuses for endpoint polling. Each time an endpoint is polled the status is stored. The data IN endpoint values are stored and can be queried by this function.

Parameters:

USBH_FT232_context * ctx - context information for this instance of the driver.
int8_t * data_status - pointer to receive status of data endpoint polling.

Returns:

None

2.29.3.10 USBH_FT232_get_latency

int8_t USBH_FT232_get_latency (USBH_FT232_context *ctx, uint16_t *latency)

Gets FT232 Latency Timer. Latency timer can be got from 2ms upwards..

Parameters:

USBH_FT232_context * ctx - context information for this instance of the driver.
uint16_t * latency - Number of frames between reporting by FT232 device.

Returns:

USBH_FT232_OK - if the interface supports the COMM Feature requests. USBH_FT232_ERR_CLASS
- if it does not support it.

2.29.3.11 USBH_FT232_get_modemstat

int8_t USBH_FT232_get_modemstat (USBH_FT232_context *ctx, uint16_t *modemstat)

Gets the modem status and line status from the device. The least significant byte of the modemstat parameter holds the modem status. The line status in most significant byte. The modem status is bit-mapped as follows: Clear To Send (CTS) = 0x10, Data Set Ready (DSR) = 0x20, Ring Indicator (RI) = 0x40, Data Carrier Detect (DCD) = 0x80. The line status is bit-mapped as follows: Overrun Error (OE) = 0x02, Parity Error (PE) = 0x04, Framing Error (FE) = 0x08, Break Interrupt (BI) = 0x10.

Parameters:

USBH_FT232_context * ctx - context information for this instance of the driver.
uint16_t * modemstat - Pointer to a variable which receives the modem status and line status from the device.

Returns:

USBH_FT232_OK - if the interface supports the COMM Feature requests.

USBH_FT232_ERR_CLASS - if it does not support it.

2.29.3.12 USBH_FT232_eeprom_read

int8_t USBH_FT232_eeprom_read (USBH_FT232_context *ctx, uint16_t e2address, uint16_t *e2data)

Read a value from an EEPROM location. EEPROMs for FTDI devices are organised by WORD, so each value returned is 16-bits wide.

Parameters:

USBH_FT232_context * ctx - context information for this instance of the driver.
uint16_t e2address - EEPROM location to read from.
uint16_t * e2data - Pointer to the WORD value read from the EEPROM.

Returns:

USBH_FT232_OK - if the interface supports the COMM Feature requests.

USBH_FT232_ERR_CLASS - if it does not support it.

2.30 Startup DFU Feature

The file **ft900_startup_dfu.h** contains the definitions for the USB start up DFU device functions in the libft900.a library.

The Startup DFU library allows an application to enable the USB device on the FT900 temporarily to present a DFU interface to the USB host. Software on the USB host can then update the application stored in Flash on the FT900 regardless of the functionality or features of the existing application.

The feature can be added to any application by adding a call to the function STARTUP_DFU. This call can be made under any conditions – maybe a button press at power-up detected by a GPIO or just unconditionally when the application is started.

The USB interface remains active for a short period of time (~200ms) and once activated by enumeration from the USB host will continue to stay active for around 1000ms after activity has ceased.

This file contains Startup DFU feature function definitions, constants and structures which are exposed in the API.

Note that as this is a USB device all transaction nomenclature is from the point of view from the host. If the device sends data to the host then it is called an IN transaction, if it receives data from the host then it is an OUT transaction.

2.30.1 API Cross Reference

It utilises the following library APIs:

ft900_timers.h – Timers

ft900_sys.h – Chip Management

ft900_interrupt.h – Interrupt Management

ft900_usbd.h – USB device

Additional definitions are taken from:

ft900_usb.h – General USB definitions

ft900_usb_dfu.h –USB DFU definitions

2.30.2 Macro Definition Documentation

2.30.2.1 STARTUP_DFU

```
#define STARTUP_DFU(...)
```

Macros to overload startup_dfu function. Allows the STARTUP_DFU call to be made with either no parameters or with one parameter. This permits an optional timeout to be passed to the startup_dfu() function.

2.30.3 Function Documentation

2.30.3.1 STARTUP_DFU

```
void startup_dfu ( int timeout )
```

Temporarily start the USB device with a DFU interface.

When called, the USB device will be enabled for around 200ms allowing a USB host to enumerate the device. Once enumerated, the function will wait for around 1000ms for a DFU connection from the USB host. This will allow a program on the host PC to download new firmware to the device. The function returns after one of the timeouts has completed. If the firmware on the device is updated or the device is reset via a USB reset then the device will be reset.

2.30.3.2 Parameters

int timeout

Number of milliseconds to wait until a connection from a host controller is established and a DFU_DETACH request sent to the device. A value of zero will result in the default to infinite.

2.31 SD Host

The file **ft900_sdhost.h** contains the definitions for the SD card device functions in the libft900.a library.

2.31.1 Enumeration Type Documentation

2.31.1.1 *sdhost_cmd_t*

enum *sdhost_cmd_t*

Enumerator
SDHOST_BUS_CMD
SDHOST_APP_SPECIFIC_CMD

2.31.1.2 *sdhost_response_t*

enum *sdhost_response_t*

Enumerator
SDHOST_RESPONSE_NONE
SDHOST_RESPONSE_R1
SDHOST_RESPONSE_R1b
SDHOST_RESPONSE_R2
SDHOST_RESPONSE_R3
SDHOST_RESPONSE_R4
SDHOST_RESPONSE_R5
SDHOST_RESPONSE_R5b
SDHOST_RESPONSE_R6
SDHOST_RESPONSE_R7

2.31.1.3 *SDHOST_STATUS*

enum *SDHOST_STATUS*

Enumerator
SDHOST_OK
SDHOST_ERROR
SDHOST_CARD_INSERTED
SDHOST_CARD_REMOVED
SDHOST_INVALID_RESPONSE_TYPE
SDHOST_CMD_TIMEOUT
SDHOST_UNUSABLE_CARD
SDHOST_CMD2_FAILED
SDHOST_CMD3_FAILED
SDHOST_CMD8_FAILED
SDHOST_CMD9_FAILED
SDHOST_CMD55_FAILED
SDHOST_ACMD41_FAILED
SDHOST_CANNOT_ENTER_TRANSFER_STATE
SDHOST_CANNOT_SET_CARD_BUS_WIDTH
SDHOST_RESPONSE_ERROR
SDHOST_WRITE_ERROR
SDHOST_READ_ERROR

2.31.2 Function Documentation

2.31.2.1 *sdhost_abort*

SDHOST_STATUS **sdhost_abort** (void)

Abort current sdhost operation.

Returns

SDHOST_OK if successful

2.31.2.2 *sdhost_card_detect*

SDHOST_STATUS **sdhost_card_detect** (void)

Check to see if a card is inserted.

Returns

SDHOST_CARD_INSERTED if a card is inserted.

SDHOST_CARD_REMOVED if no card is inserted.

2.31.2.3 sdhost_card_init

SDHOST_STATUS sdhost_card_init (void)

Identifies and initializes the inserted card.

Returns

either SDHOST_ERROR or SDHOST_OK

2.31.2.4 sdhost_init

void sdhost_init (void)

Function initializes SD Host device.

2.31.2.5 sdhost_sys_init

void sdhost_sys_init (void)

Function used for initializing system registers.

2.31.2.6 sdhost_transfer_data

```
SDHOST_STATUS sdhost_transfer_data ( uint8_t direction,  
                                     void * buf,  
                                     uint32_t numBytes,  
                                     uint32_t addr  
                                     )
```

Transfer data to/from SD card.

Parameters

direction SDHOST_READ or SDHOST_WRITE

buf address of memory data to be read or write

numBytes size of data to be read or written

addr address of SD card to write to or read from

Returns

SDHOST_STATUS enum indicating on outcome of operation.

2.32 Datalogger Feature

FT900 provides several peripherals which may be interfaced to output or storage devices. Developers may use any of these peripherals to output debug or diagnostic information during development. Peripherals attached to storage (SPI flash, SD Card memory, USB Mass Storage, etc.) may be used to store such information, too. However, there are customer applications in which no external storage is available and it becomes impossible to capture and store debug or diagnostic information collected in the field. The datalogger feature uses the on-chip flash in the FT900 for such storage.

FT900 has 256KB of flash. The flash is organized as a multiple of blocks. Blocks are made up of sectors and sectors in turn are made up of pages. The smallest programmable unit is a page and the smallest erasable unit is a sector. The following table describes the flash geometry in FT900.

Memory Organization	Multiples	Units	Size
Complete Flash	4	Blocks	256 KB
Block	16	Sectors	64 KB
Sector	16	Page	4 KB
Page	256	Bytes	256 B

Table 1 – FT900 Flash Geometry

2.32.1 Datalogger Partition

The datalogger partition occupies one sector of the flash and is 4KB in size. As mentioned in Table 1 – FT900 Flash Geometry, there are 16 pages in one sector. The first and last pages are reserved and the remaining 14 pages are available to the user application for usage. User application refers to the 14 pages via page index 0 to 13.

Once a page has been programmed, it may not be programmed again. In order to overwrite a previously programmed page, the partition has to be erased.

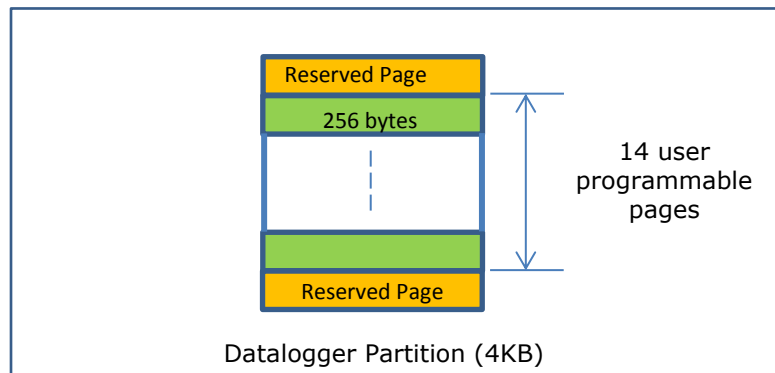


Figure 2-1 Datalogger Partition

2.32.2 API Cross Reference

It utilizes the following libraries:

ft900_memctl.h– FT900 memory controller driver

The file **ft900_dlog.h** contains the definitions for the datalogger feature functions in the libft900.a library.

2.32.3 Variable Documentation

2.32.3.1 __dlog_partition

extern flash uint32_t __dlog_partition[];

The global variable `__dlog_partition` has to be referenced in the user application through an extern. The `__dlog_partition` variable is defined in the C runtime for a datalogger application. This value is passed to the `dlog_init()` API function. The `__flash__` attribute informs the compiler that this is a pointer to flash memory.

2.32.4 Function Documentation

2.32.4.1 `dlog_init`

```
/**<
 * @function    dlog_init
 * @brief read one page of data
 * @param      [in]    flashbuf pointer to flash datalog partition
 * @param      [out]   pgsz      size of page on flash
 * @param      [out]   pages     number of pages in partition, pg=1..pages
 * @returns    0          on success
 *            -1         if partition is invalid
 */
int dlog_init (__flash__ uint32_t *flashbuf, int *pgsz, int *pages);
```

dlog_init must be the first function to be called to initialize the datalogger API. Set **flashbuf** to **__dlog_partition**. On successful return, **pgsz** and **pages** shall be initialized. **Pgsz** indicates the size of the page in flash and **pages** indicates the number of pages available in the partition. In the present API, **pgsz** is fixed to 256 bytes and **pages** is fixed to 14.

Dlog_init does not keep track of which pages were programmed and which pages remain erased. Such page management is left to the user application.

2.32.4.2 `dlog_erase`

```
/**<
 * @function    dlog_erase
 * @brief erases the datalog partition and writes the partition signatures
 * @param      none
 * @returns    0          datalog partition was erased
 *            -1         datalog library has not been initialized
 */
int dlog_erase (void);
```

dlog_erase is called without any parameters. This function is used to erase the flash partition. **Dlog_erase** programs the first and last pages with the datalogger signature.

2.32.4.3 `dlog_read`

```
/**<
 * @function    dlog_read
 * @brief read one page of data
 * @param      [in]    pg      page number, valid range 0..13
 * @param      [out]   data    32-bit pointer to buffer of page size length
 * @returns    0          on success
 *            -1         if pg or data are invalid
 */
int dlog_read (int pg, uint32_t *data);
```

dlog_read is used to read pages from the datalogger partition. **Pg** is an input argument and denotes the user page number to read. Valid values for **pg** are 0 to 13. **Data** is an output 32-bit pointer into which page content is transferred to.

2.32.4.4 dlog_prog

```
/**<
 * @function      dlog_prog
 * @brief program one page of data
 * @param [in]    pg      page number, valid range 0..13
 * @param [in]    data    32-bit pointer to buffer of page size length
 * @returns      0        on success
 *              -1       if pg or data are invalid
 */
int dlog_prog (int pg, uint32_t *data);
```

dlog_prog is used to program pages with user data. **Pg** is an input argument and denotes the user page number to program. Valid values for **pg** are 0 to 13. No check is made if a page was previously programmed. **Data** is an input 32-bit pointer containing the information to be programmed.

2.33 D2XX Feature

The D2XX interface is a proprietary interface specifically for FTDI devices. A D2XX channel connects two processes; the D2XX application on the USB Host and the user application executing on the FT900. Data is exchanged transparently between the peer applications at each end of the channel. It shall relieve the user firmware from dealing with any USB related communication.

D2XX library API calls for the purpose are:

- D2XX_Init() – To provide user configuration and initialize the D2XX Solution library.
- D2XX_Exit() – To exit D2XX mode and USB device is released to the system.
- D2XX_Read() – A read returns data from the D2XX channel. If the channel is empty, zero bytes are returned
- D2XX_Write() – A write loads data into the D2XX channel. If the channel is full, the data is not accepted into the channel
- D2XX_IOCTL() – Can be used to for interface related controls

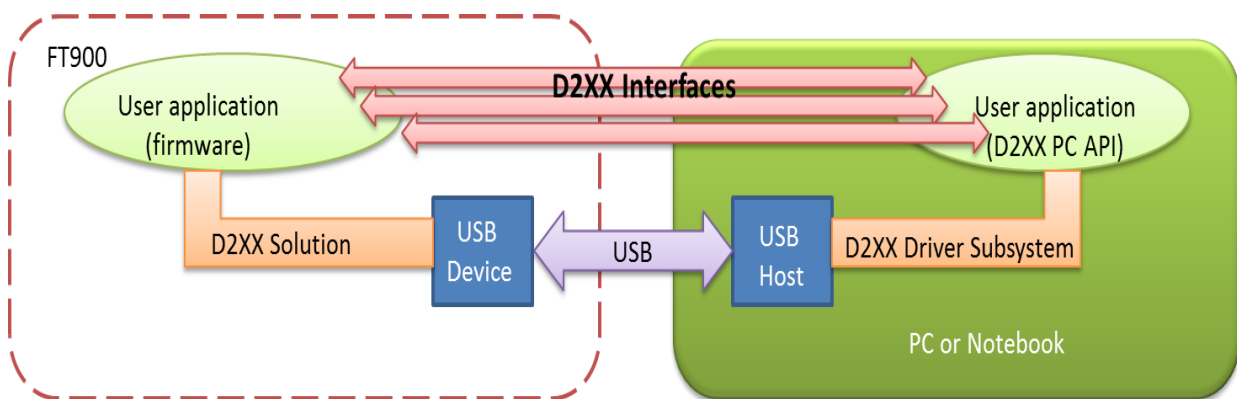


Figure 2-2 D2XX Solution Context Diagram

2.33.1 API Cross Reference

It utilises the following library APIs:

ft900_sys.h – Chip Management

ft900_interrupt.h – Interrupt Management

ft900_usbd.h – USB device API

Additional definitions are taken from

ft900_usb.h – General USB definitions

ft900_usb_dfu.h – USB DFU class definitions

2.33.2 Variable Documentation

2.33.2.1 `__dlog_partition`

```
extern TD2XX_DeviceConfiguration __pD2XXDefaultConfiguration[];
```

The global variable indicating start of d2xx partition in flash. `__pD2XXDefaultConfiguration` has to be referenced in the user application through an extern. The `__pD2XXDefaultConfiguration` variable is defined in the C runtime for a d2xx firmware application. This value is passed to the `D2XX_Init()` API function.

2.33.3 Macro Definition Documentation

```
#define D2XX_MAX_INTERFACES (3)
```

The maximum number of D2XX interfaces the D2XX solution for FT900 can support.

```
#define D2XX_MAX_DESCRIPTOR_STRING_SIZE (128)
```

The maximum total length of all the four strings used in the string descriptors. Refer `TD2XX_DeviceConfiguration` for the details on the strings used.

```
#define D2XX_DEVICEGUID_STRING_SIZE (40)
```

Double Null terminated ASCII string for Unique device interface GUID in registry format (including Braces and hyphen) for. E.g.: {2C69C451-55E9-46f0-8E4E-1F30D1E148EE}.

```
#define D2XX_API_ERR_BASE (-1)
```

A non-zero, negative, number base to start the error coding for the Enum `ED2XX_ErrorCode`.

2.33.4 Structure Documentation

2.33.4.1 *TproductDescriptors*

Struct to provide the product specific information about D2XX USB device.

Fields:

uint16_t VendorID Vendor ID (assigned by the USB-IF)

uint16_t ProductID Product ID (assigned by the manufacturer)

2.33.4.2 TconfigDescriptors

Struct to provide the configuration descriptor information about D2XX USB device.

Fields:

uint8_t BCDEnable	Battery Charge Detection to be enabled or not. 0=disable, 1=enable
uint8_t DFUCapable	DFU support. 0=disable, 1=enable
uint8_t SelfPowered	Bus or Self Powered Device. 0=disable, 1=enable
uint8_t MaxPower	Maximum power consumption of the USB device from the bus in this specific configuration when the device is fully operational. Expressed in 2 mA units (i.e., 50 = 100 mA).
Uint8_t NumOfD2XXInterfaces	Number of D2XX interfaces supported by this USB configuration. Range: 1 to D2XX_MAX_INTERFACES
uint8_t RMWKUPEnable	Remote Wakeup capable or not. 0=disable, 1=enable
uint16_t MaxTransferSize	The maximum packet size for which transfer happens on each of the D2XX interfaces. Value: 0 or enum values defined in ED2XX_TransferSize. Fill the value to 0 if a d2xx interface is not used (i.e. Indexes >= NumOfD2XXInterfaces)

2.33.4.3 TD2XX_DeviceConfiguration

Fields:

TproductDescriptors ProductDesc	Struct to provide the product specific information about D2XX USB device.
TconfigDescriptors ConfigDesc	Struct to provide the configuration descriptor information about D2XX USB device.
Uint8_t Strings	String configuration section. String 1 – ASCII string detailing the manufacturer. String 2 – ASCII string detailing the Product. String 3 – ASCII string for the Serial Number. String 4 – ASCII string for the DFU Runtime Interface Name. Note: All the strings should be preceded with the data length of the string. For e.g. <pre>0x04,'F','T','D','I', 0x0A,'F','T','9','0','0',' ','D','2','X','X', 0x0E,'F','T','9','0','0','S','e','r','i','a','l','N','u','m','b','e','r',' ','D','F','U','R','u','n','t','i','m','e','I','n','t','e','r','f','a','c','e','N','a','m','e',' ','D','F','U','R','u','n','t','i','m','e','I','n','t','e','r','f','a','c','e','N','a','m','e',' ','D','F','U','R','u','n','t','i','m','e','I','n','t','e','r','f','a','c','e','N','a','m','e'</pre>

2.33.5 Enumeration Type Documentation

2.33.5.1 ED2XX_ErrorCode

The return values returned by the API functions.

D2XX_ERR_NONE = 0	returns Success
D2XX_ERR_IO = D2XX_API_ERR_BASE	in case of IO operation error
D2XX_ERR_MULTIPLE = D2XX_API_ERR_BASE-1	in case of multiple call of the init or exit API
D2XX_ERR_DEVICE = D2XX_API_ERR_BASE-2	in case of Device error
D2XX_ERR_INSUFFICIENT_RESOURCES = D2XX_API_ERR_BASE-3	in case of insufficient memory or resources

D2XX_ERR_INVALID_PARAMETER = D2XX_API_ERR_BASE-4 Invalid Parameter supplied to API function

D2XX_ERR_NOT_SUPPORTED = D2XX_API_ERR_BASE-5 Operation not supported

2.33.5.2 ED2XX_EventCode

The events for which the D2XX API provides callback.

D2XX_EVT_SUSPEND	SUSPEND EVENT from USB Host
D2XX_EVT_RESUME	RESUME EVENT from USB Host
D2XX_EVT_RESET	RESET Vendor Command from D2XX Application
D2XX_EVT_READY	D2XX enters Ready state where READ/WRITE requests are processed
D2XX_EVT_UNREADY	D2XX exits Ready state (USB disconnected)
D2XX_EVT_DFU_DETACH	DFU DETACH Class command from DFU application
D2XX_EVT_TESTMODE	D2XX enters Test Mode. Exit is via power cycle
D2XX_EVT_MAX_CODE	

2.33.5.3 ED2XX_IoctlID

The ioctl id is the unique identifier used by the D2XX IOCTL API to process the ioctl request.

D2XX_IOCTL_SYS_REMOTE_WAKEUP	REMOTE WAKEUP to the USB Host
D2XX_IOCTL_INTERFACE_WAKEUP	D2XX interface wakeup to be sent for a D2XX interface
D2XX_IOCTL_MAX_ID	End of IOCTL ID List

2.33.5.4 ED2XX_TransferSize

The maximum packet size for which transfer happens on the D2XX interface.

D2XX_XFER_SIZE_32 = 32	32 Bytes
D2XX_XFER_SIZE_64 = 64	64 Bytes
D2XX_XFER_SIZE_128 = 128	128 Bytes
D2XX_XFER_SIZE_256 = 256	256 Bytes
D2XX_XFER_SIZE_512 = 512	512 Bytes
D2XX_XFER_SIZE_1024 = 1024	1024 Bytes

2.33.6 Typedef Documentation

2.33.6.1 FD2XX_Callback

```
typedef void (*FD2XX_Callback)(ED2XX_EventCode eventID, void *ref, void* param1, void* param2);
```

Callback declaration for user callback functions invoked from D2XX solution.

Parameters

[in] **eventID** The events for which the D2XX provides callback

[in] **ref** User application context which is stored and given back during invocation of callback functions on events.

[in] **param1** In case of D2XX_EVT_SUSPEND, this PARAM gives whether the RemoteWakeup is enabled or not.

1 – Enabled

0 – Disabled

Based on which the user application can issue a Remote Wakeup to the host device in Suspend mode.

[in] **param2** Currently unused.

Returns

void

2.33.7 Function Documentation

2.33.7.1 D2XX_Init

ED2XX_ErrorCode **D2XX_Init**(TD2XX_DeviceConfiguration *d2xxDeviceConfig, FD2XX_Callback callbackFn, **void** *ref)

Initialises D2XX solution library. This function MUST be called prior to any further call to the USB functions.

Parameters

[in] **d2xxDeviceConfig** User application custom specific information about the D2XX USB device and its interfaces. This data is used in the construction of device, config and string descriptors.

[in] **callbackFn** The user application registers its callback function through this param.

[in] **ref** The user application registers its callback context through this param.

Returns

D2XX_ERR_NONE if successful.

D2XX_ERR_INVALID_PARAMETER if invalid values or ranges provided through the d2xxDeviceConfig param.

2.33.7.2 D2XX_Exit

void D2XX_Exit(void)

Application to call this function to exit D2XX mode. This function cleans up D2XX solution and USB Driver.

Returns

void

2.33.7.3 D2XX_Read`int32_t D2XX_Read(int32_t interfaceNum, uint8_t *readBuffer, const int32_t length)`

Performs Read on a D2XX interface.

Parameters

[in] **interfaceNum** D2XX Interface Number Range: 1..n, n -> Number of D2XX Interfaces configured by the application

[in] **readBuffer** A pointer to the buffer which the stream data is read into.

[in] **length** The number of bytes of data to read from D2XX interface buffer.

Returns

Returns the actual number of bytes read from the D2XX interface.

Zero bytes are returned if the internal D2XX buffer is empty.

D2XX_ERR_INVALID_PARAMETER if invalid values or ranges provided through the interfaceNum or readBuffer params.

D2XX_ERR_IO if unsuccessful.

D2XX_ERR_DEVICE if D2XX is not in the state of processing the request

2.33.7.4 D2XX_Write`int32_t D2XX_Write(int32_t interfaceNum, uint8_t *writeBuffer, const int32_t length)`

Performs Write on a D2XX interface.

Parameters

[in] **interfaceNum** D2XX Interface Number Range: 1..n, n -> Number of D2XX Interfaces configured by the application

[in,out] **writeBuffer** A pointer to the buffer to which the stream data is written to.

[in] **length** The number of bytes of data to write from user buffer to the D2XX interface.

Returns

Returns the actual number of bytes written to the D2XX interface.

Zero bytes are returned if the internal D2XX buffer is full.

D2XX_ERR_INVALID_PARAMETER if invalid values or ranges provided through the interfaceNum or writeBuffer params.

D2XX_ERR_IO if unsuccessful.

D2XX_ERR_DEVICE if D2XX is not in the state of processing the request

2.33.7.5 D2XX_IOCTL

ED2XX_ErrorCode **D2XX_IOCTL**(int32_t interfaceNum, int ioctlID, void *param1, void *param2)

The ioctl API is a catch-all that can handle transactions where read and write are not suitable. Typically, this means control data for a D2XX interface or system control of USB device.

Parameters

- [in] **interfaceNum** D2XX Interface Number Value: 0-- System Purpose (e.g. Remote Wakeup) 1..n, n -> Number of D2XX Interfaces configured by the application
- [in] **ioctlID** D2XX IOCTL ID Refer to ED2XX_IoctlID documentation
- [in] **param1** Additional Parameter that application passes for D2XX_IOCTL_INTERFACE_WAKEUP. It is for set or clear 1 -> Set Wakeup 0 -> Clear Wakeup
- [in] **param2** Currently unused.

Returns

- D2XX_ERR_NONE if successful.
- D2XX_ERR_INVALID_PARAMETER if invalid values or ranges provided through the interfaceNum or ioctlID params.
- D2XX_ERR_DEVICE if D2XX is not in the state of processing the request
- D2XX_ERR_NOT_SUPPORTED if any unsupported IOCTL request is made.

3 Header Files

3.1 Hardware Register Definition Files

The following is a list of all hardware register definition files. These are located in the inc/registers directory.

ft900_adc_dac_registers.h	ADC/DAC registers
ft900_cam_registers.h	Camera/Parallel interface registers
ft900_can_registers.h	CANBus registers
ft900_ehci_registers.h	EHCI Registers
ft900_eth_registers.h	Ethernet registers
ft900_flash_registers.h	
ft900_gpio_registers.h	General Purpose IO and Pad control registers
ft900_i2c_registers.h	I2C registers
ft900_i2s_registers.h	I2S registers
ft900_interrupt_registers.h	Interrupt management registers
ft900_pwm_registers.h	Pulse Width Modulation registers
ft900_registers.h	FT900 Registers
ft900_rtc_registers.h	Real Time Clock Registers
ft900_sdhost_registers.h	SD Host Registers
ft900_spi_registers.h	SPI Registers
ft900_sys_registers.h	Chip management registers
ft900_timer_wdt_registers.h	Timer and Watchdog Registers
ft900_uart_registers.h	UART Registers
ft900_usbd_registers.h	USBD Registers

3.1.1 Using Register Header Files

The register header files can be used to directly access the device registers.

Here are the steps involved:

1. Find the module define in ft900_registers.h
2. Find the register to access in the associated register header file.
3. Decide if any of the constants will be used to help set or clear specific bit fields

3.1.1.1 Example 1 –Read a Register

To read the Chip ID Register in the General System Registers:

```
uint32_t HIPID_value;  
HIPID_value = SYS->HIPID;
```

3.1.1.2 Example 2 –Write to a Register

To set the entire CAN 0 Interrupt enables:

```
CAN0->CAN_INT_ENABLE |= 0x7F;
```

3.1.1.3 Example 3 –Set and Clear Bits

To bring the CAN 0 module out of reset (set RST to 0):

```
CAN0->CAN_MODE &= ~MASK_CAN_MODE_RST;
```

To put the CAN 0 back into reset (set RST to 1):

```
CAN0->CAN_MODE |= MASK_CAN_MODE_RST;
```

3.2 API Header Files

This is a list of all the API header files. These are located in the inc directory.

ft900.h	FT900 API (all include files)
ft900_adc.h	Analogue to Digital Converter
ft900_asm.h	FT900 Assembler Macros
ft900_cam.h	Camera interface
ft900_can.h	CANBus
ft900_dac.h	Digital to Analogue Converter
ft900_delay.h	Delay functions
ft900_eth.h	Ethernet driver
ft900_gpio.h	General Purpose I/O and Pad control
ft900_i2cm.h	I2C Master
ft900_i2cs.h	I2C Slave
ft900_i2s.h	I2S Audio
ft900_interrupt.h	Interrupt management
ft900_pwm.h	Pulse Width Modulation
ft900_pwm_pcm.h	PWM Audio
ft900_rtc.h	Real Time Clock
ft900_sdhost.h	SD Host
ft900_spi.h	SPI
ft900_startup_dfu.h	Startup DFU Feature
ft900_sys.h	Chip management
ft900_timers.h	Timers
ft900_uart_simple.h	UART
ft900_usbd.h	USB Device API
ft900_usbd_dfu.h	DFU device for USB device stack API
ft900_usbh.h	USB host stack API
ft900_usbh_boms.h	BOMS devices on USB host stack API
ft900_usbh_cdcacm.h	CDC ACM devices on USB host stack API
ft900_usbh_hid.h	HID devices on USB host stack API
ft900_usbh_aoa.h	AOA devices on USB host stack API
ft900_usbhx.h	USB host API extensions
ft900_wdt.h	Watchdog Timer

3.3 Additional Header Files

This list contains all additional header files that are not directly part of the API but provide additional definitions for the API and applications. They are located in the inc directory.

ft900_usb.h	USB definitions
ft900_usb_boms.h	USB BOMS class definitions
ft900_usb_cdc.h	USB CDC class USB definitions
ft900_usb_dfu.h	USB DFU class definitions
ft900_usb_hid.h	USB HID class definitions
ft900_usb_aoa.h	USB AOA class definitions

4 Contact Information

Head Office – Glasgow, UK

Future Technology Devices International Limited
Unit 1, 2 Seaward Place, Centurion Business Park
Glasgow G41 1HH
United Kingdom
Tel: +44 (0) 141 429 2777
Fax: +44 (0) 141 429 2758

E-mail (Sales) sales1@ftdichip.com
E-mail (Support) support1@ftdichip.com
E-mail (General Enquiries) admin1@ftdichip.com

Branch Office – Tigard, Oregon, USA

Future Technology Devices International Limited
(USA)
7130 SW Fir Loop
Tigard, OR 97223-8160
USA
Tel: +1 (503) 547 0988
Fax: +1 (503) 547 0987

E-Mail (Sales) us.sales@ftdichip.com
E-Mail (Support) us.support@ftdichip.com
E-Mail (General Enquiries) us.admin@ftdichip.com

Branch Office – Taipei, Taiwan

Future Technology Devices International Limited
(Taiwan)
2F, No. 516, Sec. 1, NeiHu Road
Taipei 114
Taiwan, R.O.C.
Tel: +886 (0) 2 8797 1330
Fax: +886 (0) 2 8751 9737

E-mail (Sales) tw.sales1@ftdichip.com
E-mail (Support) tw.support1@ftdichip.com
E-mail (General Enquiries) tw.admin1@ftdichip.com

Branch Office – Shanghai, China

Future Technology Devices International Limited
(China)
Room 1103, No. 666 West Huaihai Road,
Shanghai, 200052
China
Tel: +86 21 62351596
Fax: +86 21 62351595

E-mail (Sales) cn.sales@ftdichip.com
E-mail (Support) cn.support@ftdichip.com
E-mail (General Enquiries) cn.admin@ftdichip.com

Web Site

<http://ftdichip.com>

Distributor and Sales Representatives

Please visit the Sales Network page of the [FTDI Web site](#) for the contact details of our distributor(s) and sales representative(s) in your country.

System and equipment manufacturers and designers are responsible to ensure that their systems, and any Future Technology Devices International Ltd (FTDI) devices incorporated in their systems, meet all applicable safety, regulatory and system-level performance requirements. All application-related information in this document (including application descriptions, suggested FTDI devices and other materials) is provided for reference only. While FTDI has taken care to assure it is accurate, this information is subject to customer confirmation, and FTDI disclaims all liability for system designs and for any applications assistance provided by FTDI. Use of FTDI devices in life support and/or safety applications is entirely at the user's risk, and the user agrees to defend, indemnify and hold harmless FTDI from any and all damages, claims, suits or expense resulting from such use. This document is subject to change without notice. No freedom to use patents or other intellectual property rights is implied by the publication of this document. Neither the whole nor any part of the information contained in, or the product described in this document, may be adapted or reproduced in any material or electronic form without the prior written consent of the copyright holder. Future Technology Devices International Ltd, Unit 1, 2 Seaward Place, Centurion Business Park, Glasgow G41 1HH, United Kingdom. Scotland Registered Company Number: SC136640

Appendix A – References

Document References

[FT900/FT901/FT902/FT903 Datasheet](#)

[FT905/FT906/FT907/FT908 Datasheet](#)

[AN_325 FT900 Toolchain Installation Guide](#) GNU Make Manual-- 9.5 Overriding Variables
 (http://www.gnu.org/software/make/manual/html_node/Overriding.html#Overriding)

USB-IF Device Firmware Upgrade 1.1 Specification
http://www.usb.org/developers/docs/devclass_docs/DFU_1.1.pdf

USB-IF Class definitions for Communication Devices 1.2
http://www.usb.org/developers/docs/devclass_docs/CDC1.2_WMC1.1_012011.zip

USB-IF Device Class Definitions for HID 1.11
http://www.usb.org/developers/hidpage/HID1_11.pdf

USB-IF Mass Storage Bulk Only
http://www.usb.org/developers/docs/devclass_docs/usbmassbulk_10.pdf

[Android Open Accessory Specification](#)
<https://source.android.com/devices/accessories/aoa2.html>

Acronyms and Abbreviations

Terms	Description
ADC	Analogue to Digital Converter
AOA	Android Open Accessory
ARP	Address Resolution Protocol
CAN	Controller Area Network
DAC	Digital to Analogue Converter
EEPROM	Electronically Erasable PROgrammable Memory
GPIO	General Purpose I/O
I ² C	Inter-IC
I ² S	Inter-IC Sound
ICMP	Internet Control Messaging Protocol
MDI-X	Medium Dependent Interface Crossover
PC	Personal Computer
PWM	Pulse Width Modulation

RTC	Real Time Clock
SD	Secure Digital
SPI	Serial Peripheral Interface
UART	Universal Asynchronous Receiver Transmitter
WDT	Watchdog Timer

Appendix B – List of Tables & Figures

List of Tables

Table 1 – FT900 Flash Geometry	187
--------------------------------------	-----

List of Figures

Figure 1-1 FT90x Interface Driver Support	6
Figure 2-1 Datalogger Partition	187
Figure 2-2 D2XX Solution Context Diagram	189

Appendix C – Revision History

Document Title: AN_365 FT900 API Programmers Manual
Document Reference No.: FT_001157
Clearance No.: FTDI# 453
Product Page: <http://www.ftdichip.com/FTProducts.htm>
Document Feedback: [Send Feedback](#)

Revision	Changes	Date
1.0	Initial Release	2015-06-29
1.1	Updated to reflect changes in USB Host API	2015-09-14
1.2	Added USBH AOA API, Datalogger and D2XX API	2016-02-25
1.3	Updated USBBD, STARTUP_DFU sections and Added 'FT devices on USB host stack' API	2016-09-20

Revision History

Revision history (internal use only, please clearly state all changes here before saving the file)

Revision	Date YYYY-MM-DD	Changes	Editor
0.0.2	2014-12-02	Changed to newer template Added installation & compilation section Added license	D. Bouttell
0.0.3	2014-12-16	First snapshot	D. Bouttell
1.0	2014-12-19	Reviewed by CES	D. Paterson
1.0	2015-01-06	Reviewed. Updates to hyperlink and footers Recommend for approval	G Lunn
	2015-04-29	Updated from source code.	G McNab
1.0	2015-05-05	Briefly reviewed by CES. Comment added on register definitions.	D Paterson
1.0	2015-05-08	Commented on SPI chapter error and hyperlinks.	D Paterson
1.0	2015-05-13	Added section 3.1.1 Using Register Header Files which should be useful for customers. Also added a couple of comments. There are a lot of blank sections.	D Paterson
1.0	2015-06-10	Updated SPI driver section. Updated spi_read/spi_write apis and added spi_xchange api definition.	Boggarapu Prashanth
1.0	2015-06-29	Approved by LCE	A Gordon
1.1	2015-08-12	Changed return values in USBH API.	G McNab
1.1	2015-08-20	Added comments to show where the changes are made	Huynh Le Trung
1.1	2015-08-20	Reviewed. Changes to the USB API functions look ok.	D Paterson
1.1	2015-08-20	Reviewed sections 2.21 – 2.29. Minor grammar and spelling edits. Few comments raised, need closed.	G Lunn
1.1	2015-08-21	Added a comment to sys_i2c_swop function	D Paterson

1.1	2015-08-26	Fixed USBH and USBD comments. Removed SDCard section. Added more reference documents from USB-IF. Removed many broken hyperlinks to Doxygen output – please be careful pasting sections like this in. Removed many unnecessary and spurious manual page breaks from the document.	G McNab
1.1	2015-08-26	Restored SD card section but removed all non-API required definitions. Changed return values of USBD_transfer_* routines to int32_t from size_t.	G McNab
1.1	2015-09-04	Some comments and changed made.	D Paterson
1.1	2015-09-07	Replied to comments and reformatted wrongly formatted parts.	G McNab
1.1	2015-09-10	Reviewed and closed what comments I could. First 6 comments in doc need addressed. Especially the one labelled DP1.	G Lunn
1.1	2015-09-11	Added extra information to comment [DP1] sys_i2c_swop function	D Paterson
1.1	2015-09-11	Recommend for approval	G Lunn
1.1	2015-09-14	Approved by LCE	G Lunn
1.2	2016-01-22	Updted for AOA	Govind Mukundan
1.2	2016-01-28	Updated for Datalogger and D2XX	Unnamalai K B
1.2	2016-02-06	Updated Copyright year	Sree B.
1.2	2016-02-15	Comment added on STARTUP_DFU.	D Paterson
1.2	2016-02-23	Approved LCE	L Subramanian
1.2	2016-02-25	Minor corrections	L Subramanian
1.3	2016-07-29	Updated USBD, STARTUP_DFU sections and Added 'FT devices on USB host stack' API. Implemented the review comment on underscore not visible in the document.	Unnamalai K B
1.3	2016-08-02	Minor text update to STARTUP_DFU	D Paterson
1.3	2016-08-30	Reviewed with minor comment	Pin Tsailin
1.3	2016-09-15	Reviewed – corrected headers and footers Corrected contact details	G Lunn